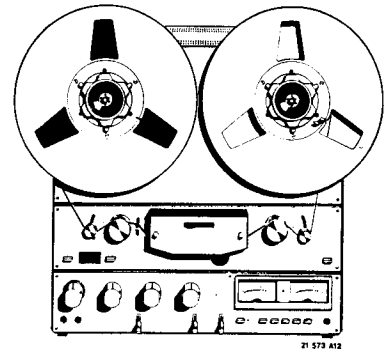


Service
Service
Service

For Service Manuals Contact
MAURITRON TECHNICAL SERVICES
8 Cherry Tree Rd, Chinnor
Oxon OX9 4QY
Tel:- 01844-352694 Fax:- 01844-352554
Email:- enquiries@mauritron.co.uk



Service Manual

TABLE OF CONTENTS

	Page
I. Technical specifications	2
II. Controls	2
III. Dismantling	4
IV. Adjustments and checks	5
V. Lubricating instructions	8
VI. Exploded views	9
VII. Parts list of mechanical parts	10
VIII. Circuit diagrams	13
IX. Wiring diagrams	18
X. PCB drawings	21
XI. Parts list of electrical parts	23

Safety regulations require that the set be restored to its original condition and that parts which are identical with those specified, be used.

Documentation Technique Service Dokumentation Documentazione di Servizio Huolto-Ohje Manual de Servicio Manual de Servicio



Subject to modification
4822 725 14051

Printed in The Netherlands

PHILIPS

CS 74 680

I. TECHNICAL SPECIFICATIONS

Mains voltages	: 220 V (110-127-240 by changing connections)	Playback frequency response with DIN test tape	
Mains frequencies	: 50-60 Hz (no adaptation required)	4.75 cm/s	: 80 Hz ... 6,300 Hz
Power consumption	: 25 W	9.5 cm/s	: 40 Hz ... 12,500 Hz
Number of tracks	: 4	19 cm/s	: 40 Hz ... 12,500 Hz
Max. reel diameter	: 18 cm	Equalisation	
Tape speeds	: 4.75 cm/s \pm 1 %	4.75 cm/s	: 3180 + 120 μ s
	: 9.5 cm/s \pm 1 %	9.5 cm/s	: 3180 + 90 μ s
	: 19 cm/s \pm 1 %	19 cm/s	: 3180 + 50 μ s
Wow and flutter at		Signal-noise ratio weighted curve A, d = 3 %	
4.75 cm/s	: $\leq \pm$ 0.2 %	4.75 cm/s	: \geq 56 dB
9.5 cm/s	: $\leq \pm$ 0.15 %	9.5 cm/s	: \geq 60 dB
19 cm/s	: $\leq \pm$ 0.1 %	19 cm/s	: \geq 62 dB
Winding time for a 26.5 cm reel with LP tape (1080 m)	: < 360 s	Signal-noise ratio DIN, for all speeds unweighted, d = 3 %	: \geq 48 dB
Input sensitivities		Distortion (at 333 Hz and 0 dB output):	\leq 3 %
MIC	: 0.3 mV/2 k Ω	Crosstalk attenuation between channels	
LINE IN 1	: 50 mV/100 k Ω	\leq 500 Hz	: \geq 25 dB
LINE IN 2	: 2 mV/10 k Ω	1 kHz	: \geq 40 dB
Output voltages		\geq 6300 Hz	: \geq 25 dB
LINE OUT	: 0-1 V/5-10 k Ω	between tracks	
MULTIPLAY	: 1 V/1 k Ω	35 \div 200 Hz	: \geq 35 dB
PHONES	: 3 V/600 Ω	1 kHz	: \geq 60 dB
Overall frequency response according to DIN 45511 with BASF C264Z tape		Erase damping	: \geq 60 dB
4.75 cm/s	: 35 Hz ... 12,500 Hz	Bias and erase frequency	: 100 kHz \pm 10 %
9.5 cm/s	: 35 Hz ... 18,000 Hz	Dimensions (w x h x d)	: 442 x 430 x 206 mm
19 cm/s	: 35 Hz ... 25,000 Hz	Weight	: approx. 9 kg

For Service Manuals Contact
MAURITRON TECHNICAL SERVICES
 8 Cherry Tree Rd, Chinnor
 Oxon OX9 4QY
 Tel:- 01844-351694 Fax:- 01844-352554
 Email:- enquiries@mauritron.co.uk

II. CONTROLS

Figs. 1 and 2

- 1 Reel spindles
- 2 Tape tension comparators
- 3 Volume control for cueing (monitoring during fast winding)
- 4 Tape counter with zero reset and zero stop
- 5 Mains switch
- 6 Recording level controls, L/R = left/right channel
- 7 Output level control for line output (30)
- 8 Volume control for headphones
- 9 Fine control for tape speed, with indicator
- 10 Recording level meters, LEFT = left channel and tracks 1-4, RIGHT = right channel and tracks 3-2
- 11 Peak level indicator for both channels
- 12 Microphone jack for left channel

Designation on recorder	Designation in diagram
-------------------------	------------------------

+ ◀ CUEING ▶ -

RESET	
ZERO STOP	SK802
POWER	SK0
L/R RECORDING	R701/751
LINE OUT	R702/752
PHONES	R703/753
PITCH CONTROL	R704 D471
LEFT	ME1
RIGHT	ME101
PEAK	D10
MIC.L	BU5

- 13 Microphone jack for right channel
 - 14 Speed selector
 - 15 Track selector
 - 16 Monitor switch, also cueing switch
 - 17 Recording button with indicator
 - 18 Start button
 - 19 Pause button
 - 20 Fast rewind button
 - 21 Fast forward wind button
 - 22 Stop button
 - 23 Headphones jack
- Fig. 2
- 24 Mains cord
 - 25 Handle
 - 26 Type plate
 - 27 Remote control connection
 - 28 Line input, "Line-in", L/R = Left/Right channel
 - 29 Connection for Sound on Sound multiplex recordings
 - 30 Line output
L/R = Left/Right channel
 - 31 Line input, "Line-in"
L/R = Left/Right channel

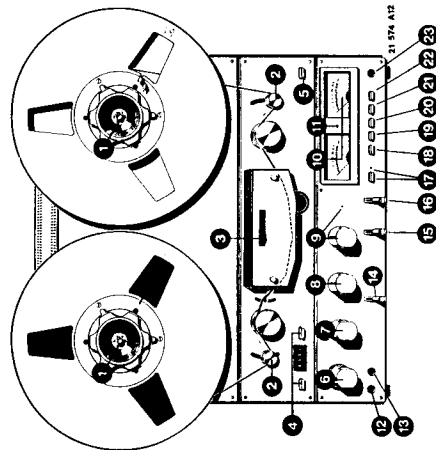


Fig. 1

- MIC.R BU105
- SPEED SK1
- TRACK SK3
- MONITORING SK4
- REC SK5
- PLAY ► SK6
- PAUSE|| SK7
- REW ◀◀ SK8
- FF ▶▶ SK9
- STOP ■ BU6
- PHONES

- REMOTE BU401
- LINE IN 1 BU3, BU103
- MULTIPLAY BU2
- LINE OUT BU4, BU104
- LINE IN 2 BU1/BU101

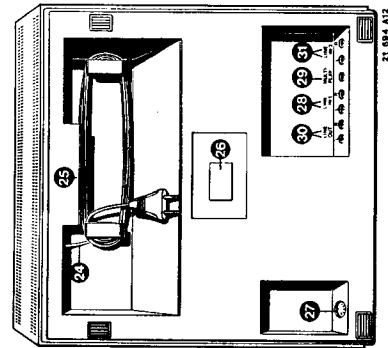


Fig. 2

III. DISMANTLING

Figs. 3 and 4

1. Backcover
 - Remove the 5 screws G and the two supports F at lower side.
 - Slide backcover backwards.
2. Head cover and cueing control
 - Remove 2 ornamental screws E.
 - Head cover and cueing control can be taken from recorder.
3. Upper ornamental plate
 - Remove 5 ornamental screws A.
 - Ornamental plate can be removed after being slid slightly downwards.

4. Lower ornamental plate

- Remove backcover.
- Remove from the back the bushes on the spindles of the tape tension rollers D.
- Remove the tape tension rollers D from the set by pulling them forwards.
- Remove the upper ornamental plate.
- Remove 9 screws B, the knobs of the lever switches and of the controls.
- Ornamental plate can now be taken from recorder.

5. Indicators and overmodulation LED

- Remove lower ornamental plate.
- Remove ornamental frame in front of indicators.
- Indicators can be taken out of recorder in forward direction.
- Overmodulation LED is accessible after removal of indicators.

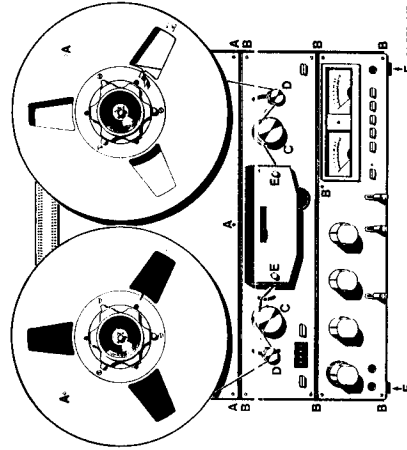


Fig. 3

For Service Manuals Contact
MAURITRON TECHNICAL SERVICES
 8 Cherry Tree Rd, Chinnor
 Oxon OX9 4QY
 Tel:- 01844-351694 Fax:- 01844-352554
 Email:- enquiries@mauritron.co.uk

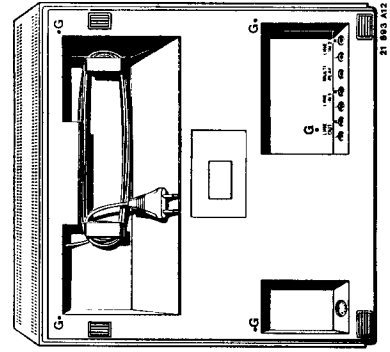


Fig. 4

IV. ADJUSTMENTS AND CHECKS

1. General remarks

- The electrical measurements and adjustments refer to the left channel. The connecting points and controls for the right channel are given in brackets.
- Before each measurement or adjustment with running tape, heads and tape guides should be demagnetized and cleaned.
- Do not use magnetized screwdrivers.
- All voltages given have been measured with an electronic voltmeter.
- The outputs measured should be terminated with a resistor of 100 k Ω .
- Adjusted cores should be sealed.
- Adjusted screws and nuts should be lock-painted.
- Test tapes used:
 - BASF-C264Z - 3922 566 21640
 - Unmodulated tape.
 - DIN test tape 9.5
- For adjustment of head inclination and azimuth and check of the frequency response during playback.
 - To check the tape speed it is possible to use:
 - 3150 Hz 4.75 cm/s 3922 566 21370
 - 3150 Hz 9.5 cm/s 3922 566 21380
 - 3150 Hz 19 cm/s 3922 566 21390

2. Tape guides (item numbers 224, 229, 241, 273)

- The 4 tape guides have been accurately adjusted by the factory and they should never be replaced simultaneously, for in that case there will be no reference point left.
- Insert a tape and select PLAY mode.
- The height of the replaced tape guide should be such that the tape passes the outer tape guides at the lower side and the inner tape guides at the upper side.

3. Tape tension comparators

- To the indication on brackets 521 and 532 applies: each mark is 20.
- Mechanical**
The force required to keep the lever in position -90 should be 0.9 N. This force can be adjusted by changing the suspension points of spring 217, 289.
After adjustment, the force required to keep the lever in position +40 should be 0.7 N.

Electrical

- The "output" (point 3 panel 3 A and point 1 panel 3B) should be loaded with 100 k Ω \pm 5 %.
- The voltage should be measured with a voltmeter $R_i \geq 1$ M Ω .
- In position 00 the voltage at the "output" should be 7.5 V \pm 0.2 V. The voltage can be adjusted by shifting the metal core (bracket 523, 538) after screw M2x4 has been loosened.
- After adjustment the voltage at the output should be 5.7 V \pm 0.3 V in position +80.

4. Brake (Fig. 6)

- When the brake solenoid is energized clearance A between brake shoe and reel disc should be \leq 0.8 mm. The brake shoe should not interfere with the reel disc. The clearance can be adjusted by turning wheel C.
- For winding the brake torque should be between 80 mNm and 88 mNm.
- Brake torque = force x arm.
- The brake torque is adjustable by changing suspension point B of spring F2.

5. Reel disc (Figs. 8 and 9)

Height adjustment

- Insert a tape.
- Select REW mode for checking or adjusting the left-hand reel disc and FF mode for checking and adjusting the right-hand reel disc.
- The tape should wind in the centre of the reel.
- The height of the reel disc can be adjusted by turning adjusting screw G (accessible via backcover).
- The axial play should be between 0.1 mm and 0.15 mm. This is adjustable with adjusting screw H which is countersunk in adjusting screw G.
- The clearance between the mounting plate of the reel disc and the cabinet should be equal at the three fixing points.
- The clearance is adjustable with the lower fixing screw.

Replacement

- Attention to toothing of reel disc and gear. They are not the same left and right. (Check that reel disc is clean and lubricate with Alvania.)
- Remove gear A from motor shaft by loosening two bolts B.
- Insert reel disc shaft partially in bearing and check shaft distance I of reel disc and motor. This distance I should be 33.8 mm \pm 0.1 mm and is adjustable by loosening screws J and displacing reel disc bearing in slotted holes K.
- Measure this distance by means of caliper gauge and recheck after tightening screws J.
- Fix gear A and adjust height C by means of screws B.
- Locate earth spring (item number 234) and guide it through eyelet of solder tag L.
- Guide reel disc shaft through bearing and lock it with clamping ring (3.2 mm).
- Completely tighten adjusting screw G (clockwise).
- Press pulley E (for left-hand side together with counter belt) against stop F and fix with screw D.
- Adjust height of reel disc and axial play as described above.

6. Flywheel (Fig. 7)

Perpendicular adjustment of capstan

- Insert a DP tape.
- Select PLAY mode.
- Turn screw A until tape runs flat between capstan and pressure roller.
- Clearance between bearing and oil-retaining ring should be between 0.5 mm and 0.8 mm.
- This clearance is adjustable by moving the oil-retaining ring.

7. Pulling force on tape

- Below applies:
 - "REW-lever" is seen from the back, the right-hand tape tension lever.
 - "FF-lever" is seen from the back, the left-hand tape tension lever.

- Insert an 18 cm tape (approx. in middle of tape).
- Select PLAY mode.
- Adjust with R471 the "REW-lever" to $+40 \pm 10$.
- Then the "FF-lever" should be adjusted to -80 ± 10 with R477.
- Select PAUSE mode.
- Press down the brake bracket rod until the brake shoes are released from the reel discs.
- Adjust with R475 the "FF-lever" to $+40 \pm 10$.
- Select FF mode.

- Insert after approx. 5 s the "FF-lever" to -80 ± 10 with R473.
- Select REW mode.
- Check after approx. 5 s that "REW-lever" is at -80 ± 20 .

8. Speed adjustment

- Connect a wov and flutter meter to BU4/BU104 LINE OUT.
- Insert a test tape having a frequency of 3150 Hz recorded at 4.75 cm/s, 9.5 cm/s or 19 cm/s dependent on the speed to be adjusted on the set and play it back. Adjust for correct speed by means of one of the trimming potentiometers (see table below).
- After the speed adjustment the wov and flutter is allowed to be as indicated in the table below.

9. Suppression of radiation from erase oscillator signal

- Set recorder in position: 19 - ST - TAPE CUEING - REC - PLAY.
- "LINE-OUT" control at "MAX", other controls at "0".
- No tape in recorder.
- Adjust for minimum voltage (\leq 10 mV) on BU3 (BU103) by means of L1 (L101).

10. Playback head (Fig. 5)

- Height and inclination of heads supplied by Service have already been adjusted in factory.
- Tape guides should have been adjusted to correct height (see chapter ADJUSTMENTS AND CHECKS, paragraph 2).
- Connect the recording head as playback head by inserting the plug of the recording head in the socket of the playback head on PC-board 1.
- Plug 3 in connector 4.
- Plug 4 in connector 3.
- If necessary, head inclination and azimuth should be adjusted as described for playback head.
- Reinsert the plugs in the original connectors.
- Set recorder in position: 19 - ST - SOURCE - PLAY - REC.

10.1. Head inclination

- The front of the head should be exactly parallel to the tape or perpendicular to the mounting plate.
- Check:
 - Playback the 10 kHz azimuth adjustment section of the DIN test tape. Brake the left-hand reel slightly by hand and measure the output voltages of both channels.

- Braking should not cause the output voltage of both channels to increase by more than 2 dB. (Should this be the case, the tape path must be checked.) If, as a result of braking, only the output voltage of the left-hand channel increases by more than 2 dB, the head inclines backwards. If braking only causes the output voltage of the right-hand channel to increase by more than 2 dB, the head inclines forwards.
- Head inclination is adjustable with screw A.

10.2. Azimuth

- Playback the azimuth adjustment section of the DIN test tape.
- The TRACK selector should be in position ST. The signal should be as large as possible for both channels simultaneously. This is adjustable with screw C.

11. Adjustment of playback amplifier

- Set recorder in position: 9.5 - ST - TAPE CUEING - PLAY.
- LINE-OUT control at maximum.
- Insert a DIN reference tape for 9.5 cm and playback the reference level section.
- Adjust for an output voltage of 0.6 V \pm 0.5 dB on BU4 (BU104) by means of R41 (R141).

12. Playback frequency response

- Set recorder in position: 19 - ST - TAPE CUEING - PLAY.
- LINE-OUT control at maximum.
- Insert a 19 cm DIN reference tape and playback the frequency response section.
- The frequencies 40 Hz and 12.5 kHz should be within 7 dB with respect to the reference frequency.
- The frequencies between 250 Hz and 6300 Hz should be within 5 dB with respect to the reference frequency.

13. Recording head (Fig. 5)

- Height and inclination of the heads supplied by Service have already been adjusted in factory.
- Tape guides should have been adjusted to correct height (see chapter ADJUSTMENTS AND CHECKS, paragraph 2).
- Connect the recording head as playback head by inserting the plug of the recording head in the socket of the playback head on PC-board 1.
- Plug 3 in connector 4.
- Plug 4 in connector 3.
- If necessary, head inclination and azimuth should be adjusted as described for playback head.
- Reinsert the plugs in the original connectors.
- Set recorder in position: 19 - ST - SOURCE - PLAY - REC.
- Insert a reference tape (BASF C264Z).
- Apply a signal of 1 kHz to BU1 (BU101).
- Set the indicators to 0 dB with recording controls.
- Set recorder in position TAPE CUEING.
- The output signal should be maximum and the phase difference should be $<$ 10 $^\circ$.
- This is adjustable with screw C.

- Increase the frequency to 10 kHz.
 - The phase difference should be smaller than 45°
 - If necessary, readjust with screw C.
- 14. Adjustment of channel equality, indicator reading and recording amplifier**
- Set recorder in position: 9.5 - ST - SOURCE.
 - Apply a signal of 330 Hz, 500 mV to BU1 (BU101).
 - LINE-OUT control at maximum.
 - Adjust for 1 V output voltage on BU104 with recording level control for right-hand channel.
 - Set recording level control for left-hand channel to same position as for right-hand channel and adjust for 1 V output voltage on BU4 with R214.
 - Adjust for a 0 dB indicator reading with R78 (R178).
 - Insert a reference tape (e.g. BASF C264Z).
 - Set recorder in position: SOURCE - REC - PLAY.
 - Apply a 330 Hz signal until 1 V appears on LINE-output BU4 (BU104) (indicator reading 0 dB).
 - Set recorder in position TAPE CUEING.
 - Adjust for 1 V voltage on BU4 (BU104) with R63 (R163) (indicator reading 0 dB).

15. Adjustment of bias, check of overall frequency response and distortion

- In case of a correct adjustment of the bias, a compromise must be found between frequency response and distortion.
- The target value is 8 mV (across R61, R161), and is adjustable with R90, R190.
- Set recorder in position: 19 - ST - TAPE CUEING - REC - PLAY.
- Insert a frequency tape (BASF C264Z).
- The frequency response should be measured at -26 dB.
- The frequencies 35 Hz and 25 kHz should be within 7 dB.
- The frequencies between 250 Hz and 6300 Hz should be within 5 dB.
- The reference point is at 1 kHz.
- The distortion measured at 0 dB, should be smaller than 3 %.
- If the high frequencies are too much attenuated, the bias current will be too high. If the high frequencies are too strong and/or if distortion is audible, the bias current will be too low.
- This is adjustable with R90/R190.
- If R90/R190 has to be adjusted, repeat the frequency response measurement.

V. LUBRICATING INSTRUCTIONS

- Mobil oil SHC 634 - 4822 390 10074.
- Capstan bearings item numbers 238, 324.
- Shell Alvania 2 - 4822 389 10001.
- Sliding surfaces of item numbers 266, 296, 309, 329, 526.
- Silicone grease medium 300 - 4822 390 20031
- Left-hand shaft of item number 309.
- Heavy medium DTE - 4822 390 10065
- Right-hand shaft of item number 309.

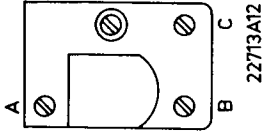


Fig. 5

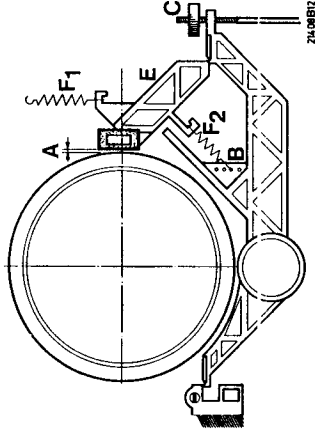


Fig. 6

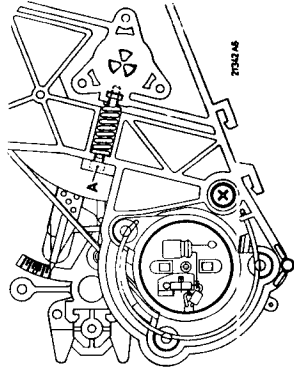


Fig. 7

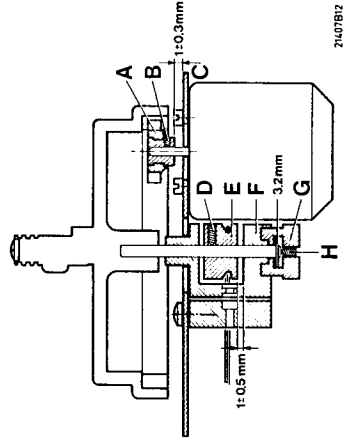


Fig. 8

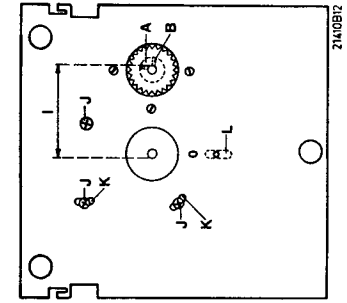


Fig. 9

For Service Manuals Contact
MAURITRON TECHNICAL SERVICES
 8 Cherry Tree Rd, Chinnor
 Oxon OX9 4QY
 Tel:- 01844-351694 Fax:- 01844-352554
 Email:- enquiries@mauritron.co.uk

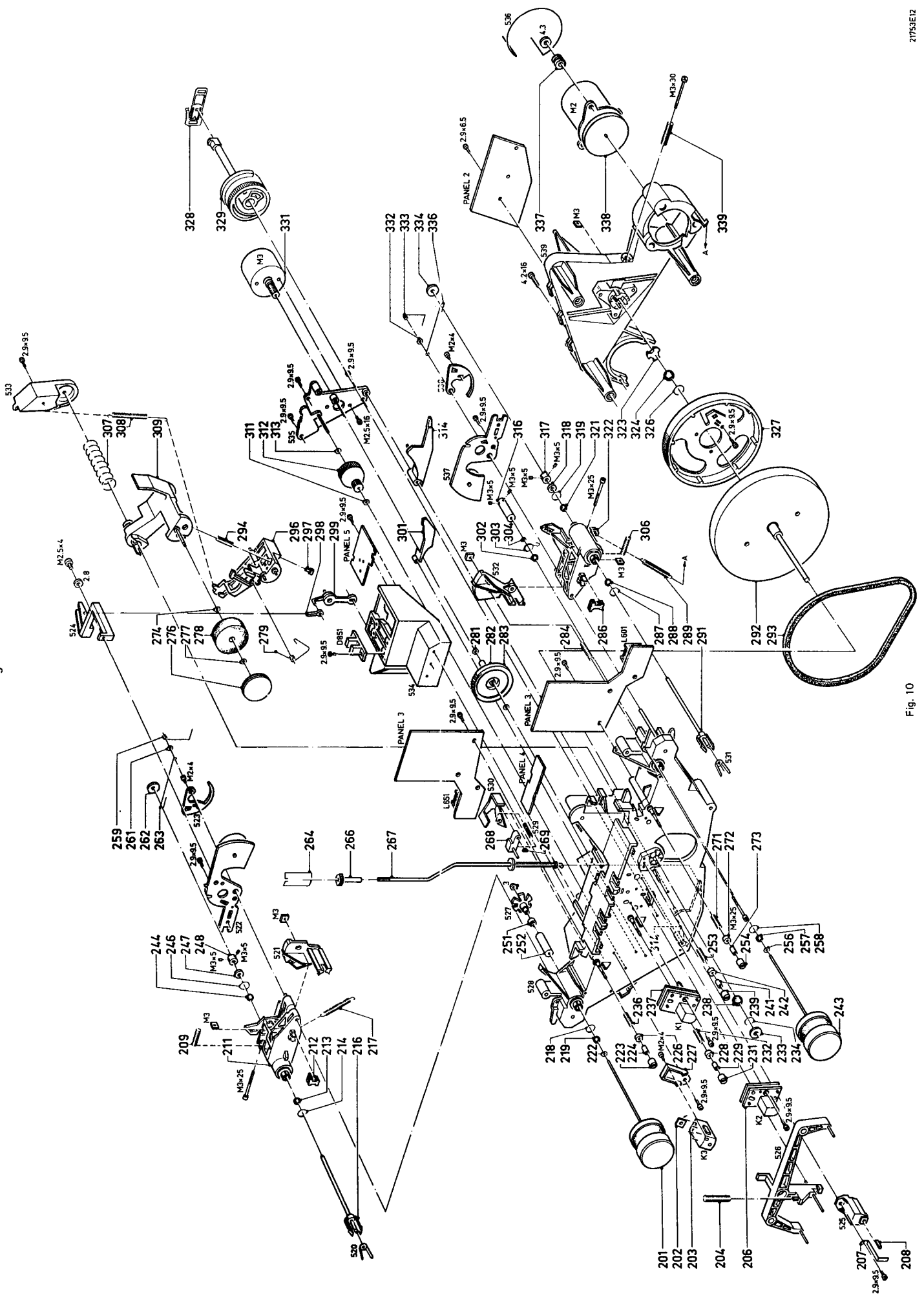


Fig. 10

MECHANICAL PARTS TAPE TRANSPORT

201	4822 528 80794	253	4822 492 50314	303	4822 492 31783
202	4822 466 90884	254	4822 505 10619	304	4822 310 40003
203	4822 249 40064	256	4822 310 40003	306	4822 492 51316
204	4822 492 51302	257	4822 520 10448	307	4822 492 51301
206	4822 249 20046	258	4822 492 31784	308	4822 492 31579
207	4822 492 31809	259	4822 492 31786	309	4822 403 40102
208	4822 535 70598	261	4822 532 50296	311	4822 532 50692
209	4822 492 51316	262	4822 532 51188	312	4822 522 31301
211	4822 403 20133	263	4822 492 31785	313	4822 532 50692
212	4822 462 40419	264	4822 492 31787	314	4822 403 10164
213	4822 520 10448	266	4822 505 10617	316	4822 532 20724
214	4822 492 31784	267	4822 535 91162	317	4822 520 10437
216	4822 535 91188	268	4822 403 40123	318	4822 310 40003
217	4822 492 31626	269	4822 532 50268	319	4822 492 31784
218	4822 492 31784	271	4822 492 50314	321	4822 443 30407
219	4822 520 10448	272	4822 532 10801	322	4822 403 20133
222	4822 310 40003	273	4822 532 20103	323	4822 532 51119
223	4822 505 10619	274	4822 310 40003	324	4822 520 10432
224	4822 532 20103	276	4822 532 51122	326	4822 530 70288
226	4822 532 10801	277	4822 310 40003	327	4822 522 31308
227	4822 443 30395	278	4822 528 90315	328	4822 492 90016
228	4822 532 10801	279	4822 492 90018	329	4822 532 51123
229	4822 532 20103	281	4822 532 50692	331	4822 361 20177
231	4822 505 10619	282	4822 522 31299	332	4822 532 50296
232	4822 492 50314	283	4822 532 50692	333	4822 492 31786
233	4822 532 50904	284	4822 492 51315	334	4822 532 51188
234	4822 530 70288	286	4822 462 40419	336	4822 492 31785
236	4822 492 50314	287	4822 492 31784	337	4822 325 60038
237	4822 249 20045	288	4822 520 10448	338	4822 361 20185
238	4822 520 10432	289	4822 492 31626	339	4822 492 51299
239	4822 505 10619	291	4822 535 91188		
241	4822 532 20103	292	4822 528 90317		
242	4822 532 10801	293	4822 358 30276		
243	4822 528 80794	294	4822 492 51298		
244	4822 520 10448	296	4822 403 40101		
246	4822 492 31784	297	4822 462 40379		
247	4822 310 40003	298	4822 403 51268		
248	4822 520 10437	299	4822 403 20132		
251	4822 532 10284	301	4822 403 30309		
252	4822 532 20724	302	4822 520 10448		

For Service Manuals Contact
MAURITRON TECHNICAL SERVICES
 8 Cherry Tree Rd, Chinnor
 Oxon OX9 4QY
 Tel:- 01844-351694 Fax:- 01844-352554
 Email:- enquiries@mauritron.co.uk

MECHANICAL PARTS CABINET

51	4822 532 51189	87	4822 413 40913	122	4822 492 31811
52	4822 532 20716	88	4822 460 20215 for /00/15	123	4822 502 11461
53	4822 492 51303	88	4822 460 20218 for /28	124	4822 505 10618
54	4822 532 20619	89	4822 403 51296	126	4822 532 51121
56	4822 502 11218	91	4822 403 51347	127	4822 492 51329
57	4822 528 20243	92	4822 502 11446	128	4822 520 10438
58	4822 325 80066	93	4822 528 80771	129	4822 505 10618
59	4822 492 31577	94	4822 361 20186	131	4822 502 11461
61	4822 532 60724	96	4822 522 31302	132	4822 532 51121
62	4822 403 40122	97	4822 358 30278	133	4822 492 51329
63	4822 403 10169	98	4822 403 10169	134	4822 290 40158
64	4822 492 31578	99	4822 410 22377	136	4822 321 10074 for /00/28
65	4822 492 51123	101	4822 349 50118	136	4822 321 10235 for /15
66	4822 532 51191	102	4822 410 30221	137	4822 460 20216
67	4822 532 20716	103	4822 520 10438	138	4822 146 20591
68	4822 492 51303	104	4822 361 20186	139	4822 462 40379
69	4822 532 20619	106	4822 522 31305	141	4822 492 31811
71	4822 502 11218	107	4822 325 60038	142	4822 276 10777
72	4822 443 30406	108	4822 255 40128	143	4822 410 30218
73	4822 502 30192	109	4822 255 40133	144	4822 462 40379
74	4822 502 30192	110	4822 492 62318	146	4822 347 20091
76	4822 454 20415	111	4822 381 10501	147	4822 381 10498
77	4822 492 61667	112	4822 464 50091	148	4822 410 30219
78	4822 492 61667	113	4822 532 60723	149	4822 462 40379
79	4822 528 80795	114	4822 464 50092	151	4822 460 20197
81	4822 413 51067	116	4822 381 10513	152	4822 443 30403
82	4822 492 61667	117	4822 381 10498		
83	4822 413 40879	118	4822 411 50496		
84	4822 413 40878	119	4822 492 61667		
86	4822 413 40878	121	4822 443 30407		

For Service Manuals Contact
MAURITRON TECHNICAL SERVICES
 8 Cherry Tree Rd, Chinnor
 Oxon OX9 4QY
 Tel:- 01844-351694 Fax:- 01844-352554
 Email:- enquiries@mauritron.co.uk

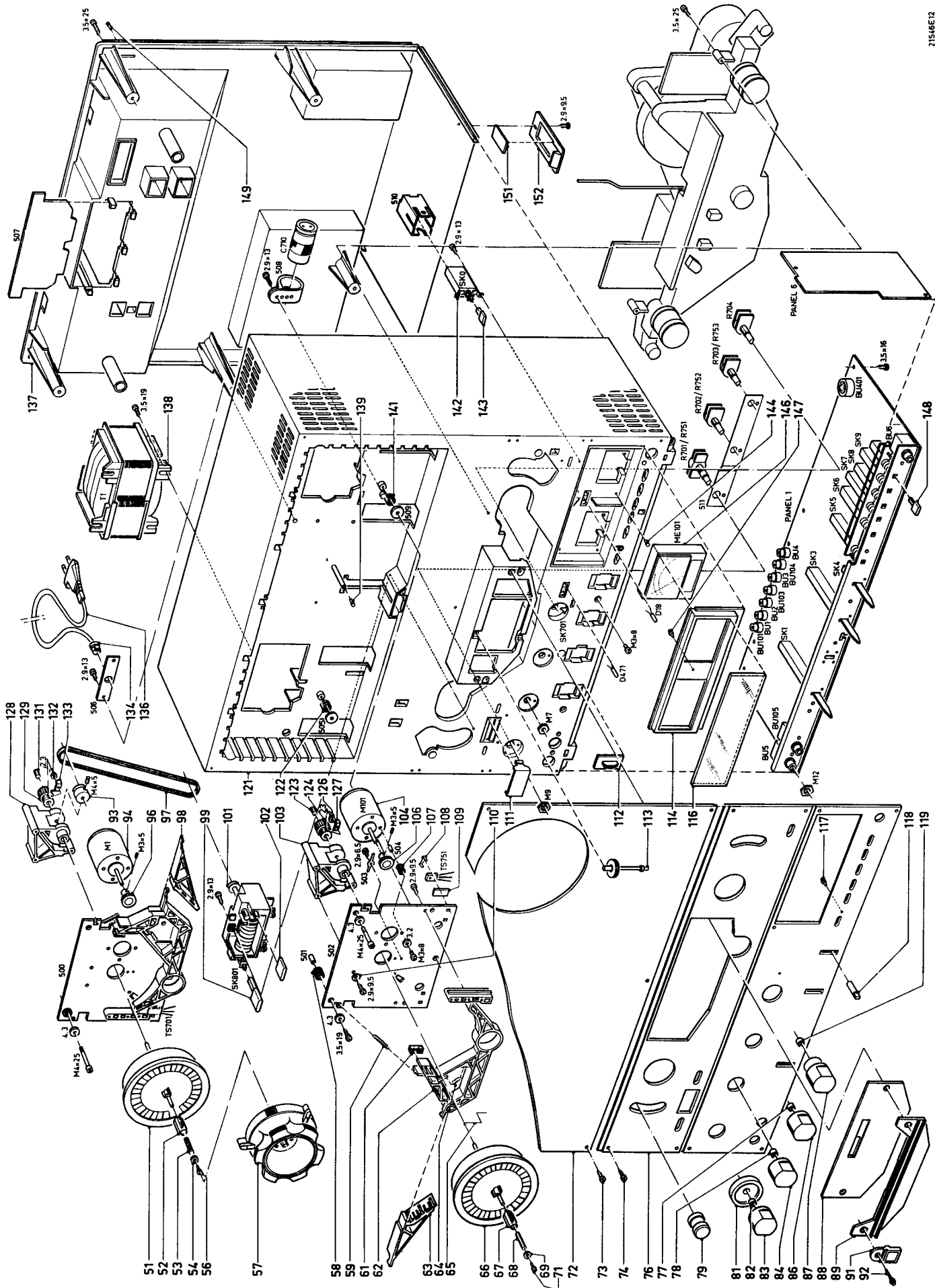


Fig. 11

MISC	SK0	F1	T1	D4	F2	IC2	LA1	LA101	D908	TS910	TS905	TS13	D476							
C				55	58	710	60			46	433	16	6	3076	910	448				
R								219	319	65	64	919	958	81	959	444	43	16	225	958

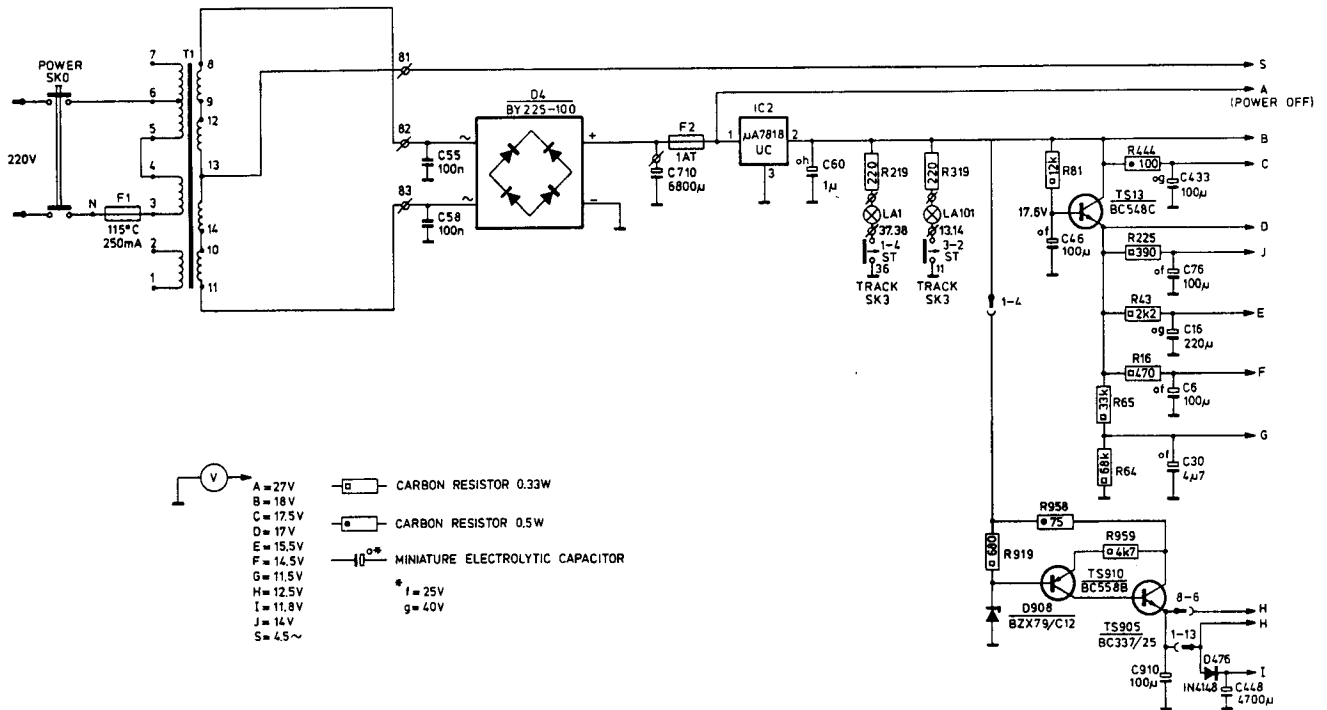


Fig. 12

For Service Manuals Contact
MAURITRON TECHNICAL SERVICES
 8 Cherry Tree Rd, Chinnor
 Oxon OX9 4QY
 Tel: 01844-351694 Fax: 01844-352554
 Email: enquiries@mauritron.co.uk

21 244 C20

MISC	TS410	D471	D472	TS422	TS432	TS430	D476	D480	TS423	D460	TS424	D461	D462	D463	TS425	TS426	D501	S02	M2	TS427																		
C		426	425	427	428	429	430	431	432	433	434	435	436	437	438	439	440	441	442	443																		
R	484	485	818	486	487	833	834	837	443	468	817	835	491	489	490	815	704	836	816	492	820	821	493	494	495	496	801	804	802	805	803	806	556	557	499	553	551	552

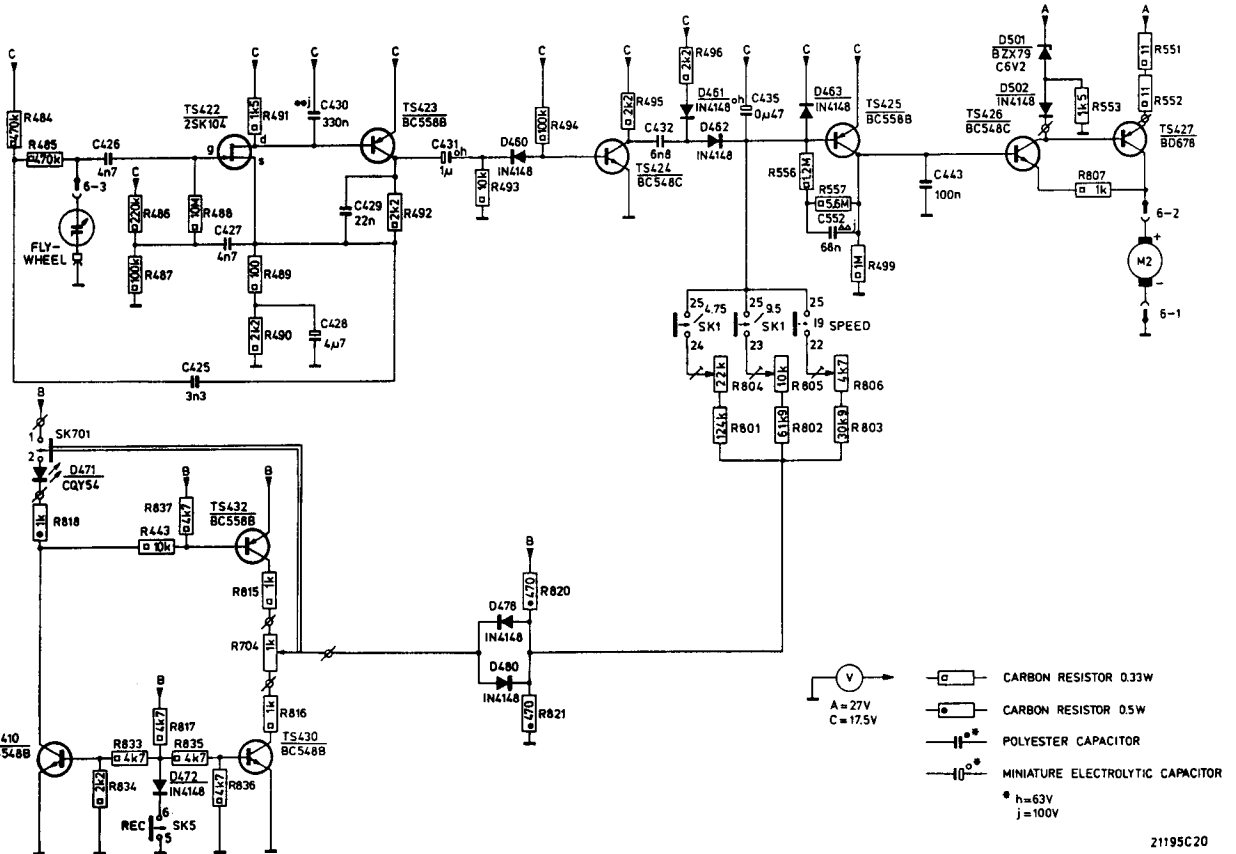
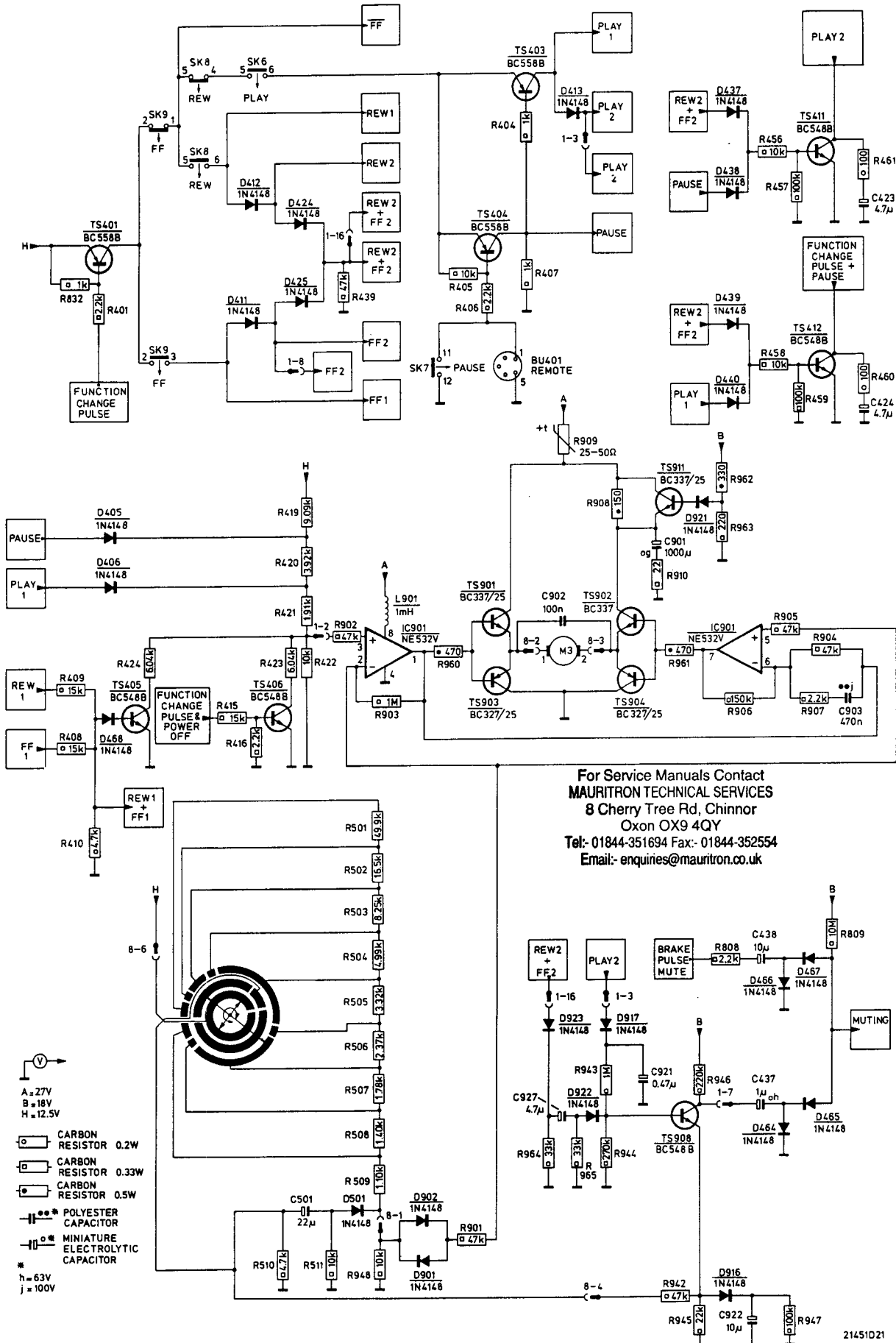


Fig. 13

21195C20

MISC	D405, D406, D468	D411, D412, D424, D425	D501	D901, D902	D923, D413, D922, D917	D916, D921, D437, D438	D464 - D467
C	TS401, TS405	TS406	L901, IC901	TS404	TS403, TS901-904	TS911, TS908, IC901, D439, D440	TS411, TS412
R	832, 401, 408-410	415, 416	419-423, 439	948	405, 406	404, 407	943, 944
	424	501-511	902, 903	901, 960	964, 965	909, 908	910
							910, 942, 945, 946, 906
							905, 907, 904, 947



For Service Manuals Contact
MAURITRON TECHNICAL SERVICES
 8 Cherry Tree Rd, Chinnor
 Oxon OX9 4QY
 Tel: 01844-351694 Fax: 01844-352554
 Email: enquiries@mauritron.co.uk

Fig. 14

21451D21

MSB	D17	D18	D19	D20	D21	D22	D23	D24	D25	D26	D27	D28	D29	D30	D31	D32	D33	D34	D35	D36	D37	D38	D39	D40	D41	D42	D43	D44	D45	D46	D47	D48	D49	D50	D51	D52	D53	D54	D55	D56	D57	D58	D59	D60	D61	D62	D63	D64	D65	D66	D67	D68	D69	D70	D71	D72	D73	D74	D75	D76	D77	D78	D79	D80	D81	D82	D83	D84	D85	D86	D87	D88	D89	D90	D91	D92	D93	D94	D95	D96	D97	D98	D99	D100																
0	1	2	3	4	5	6	7	8	9	10	11	12	13	14	15	16	17	18	19	20	21	22	23	24	25	26	27	28	29	30	31	32	33	34	35	36	37	38	39	40	41	42	43	44	45	46	47	48	49	50	51	52	53	54	55	56	57	58	59	60	61	62	63	64	65	66	67	68	69	70	71	72	73	74	75	76	77	78	79	80	81	82	83	84	85	86	87	88	89	90	91	92	93	94	95	96	97	98	99	100

For Service Manuals Contact
MAURITRON TECHNICAL SERVICES
 8 Cherry Tree Rd, Chinnor
 Oxon OX9 4QY
 Tel: 01844-351694 Fax: 01844-352554
 Email: enquiries@mauritron.co.uk

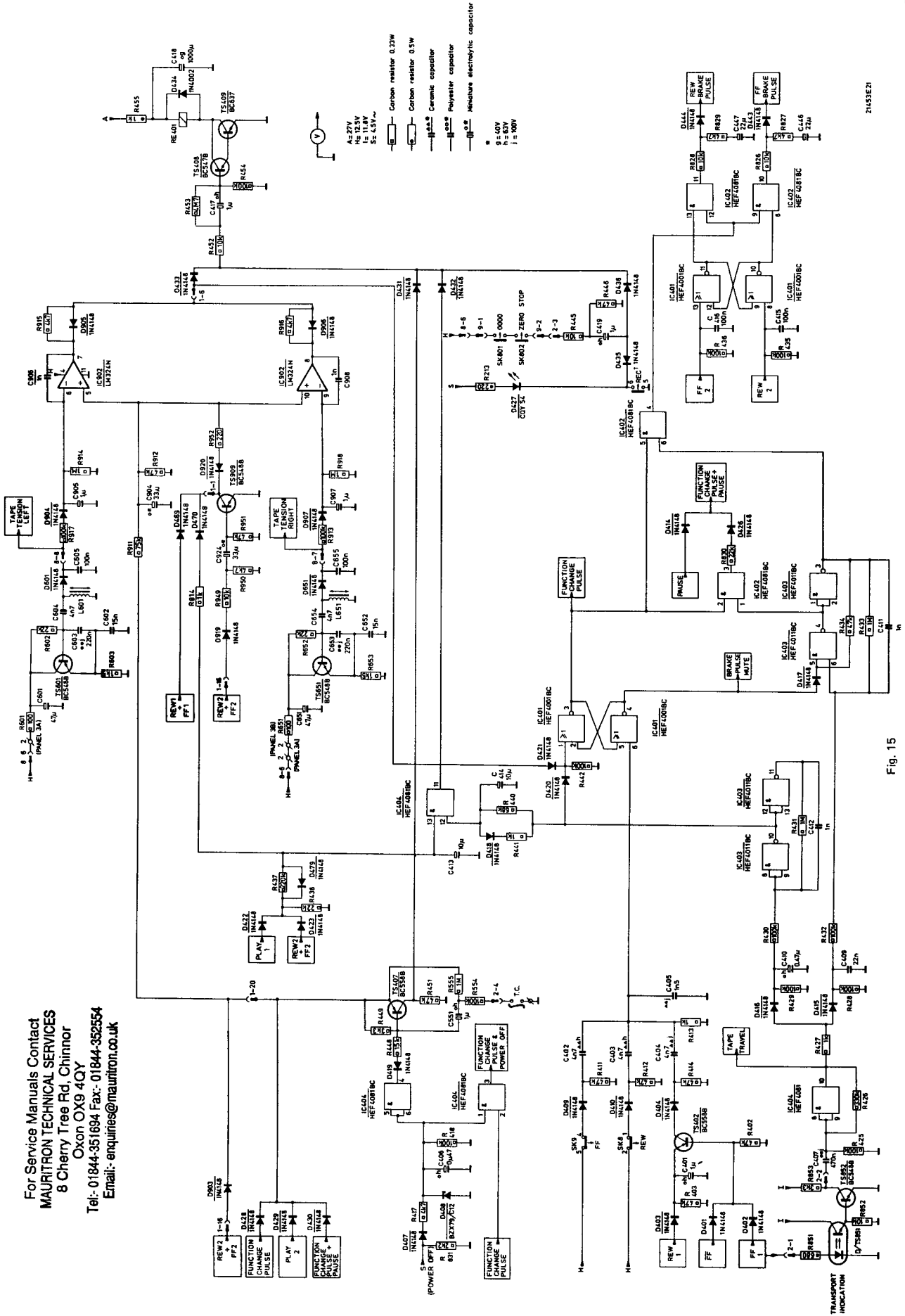
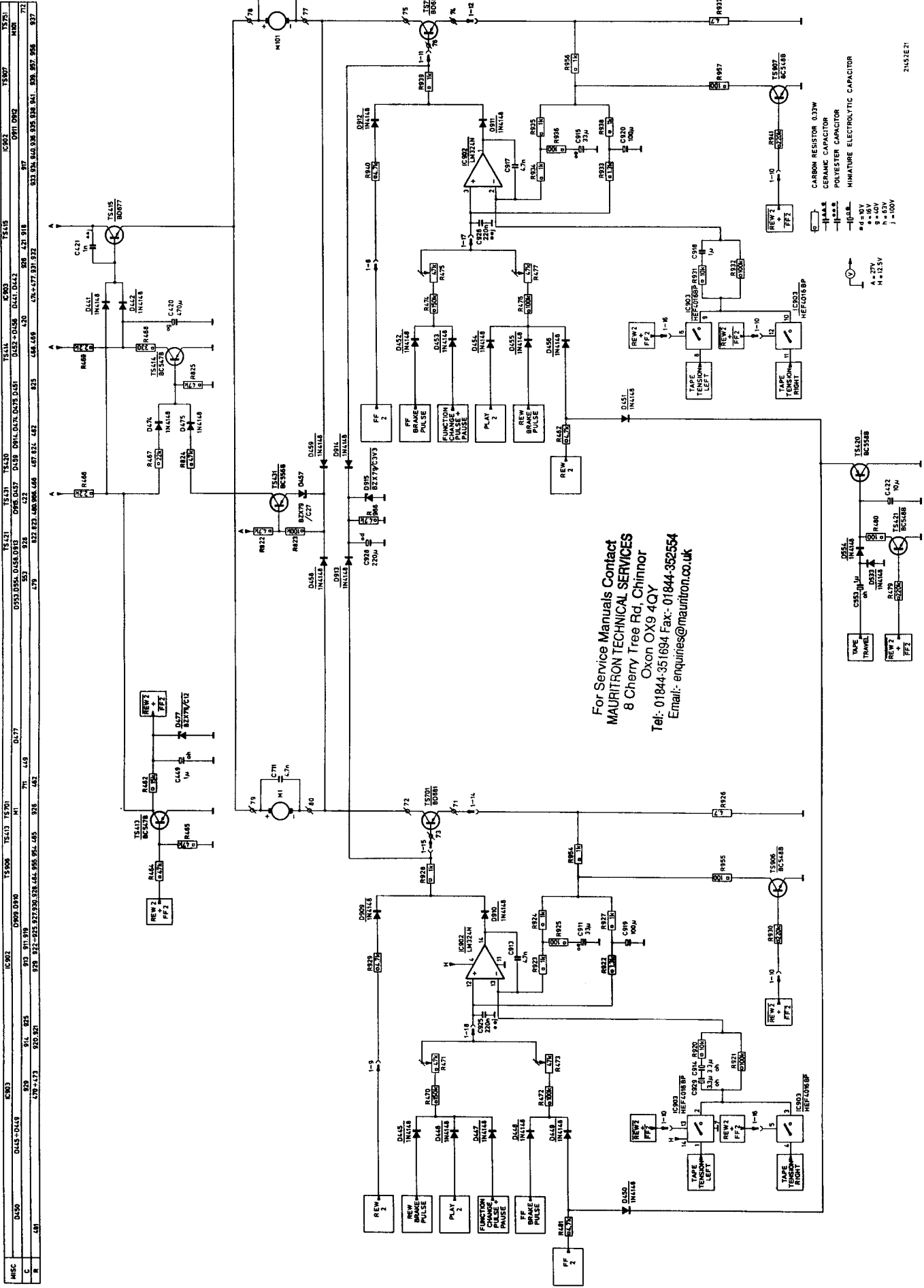


Fig. 15



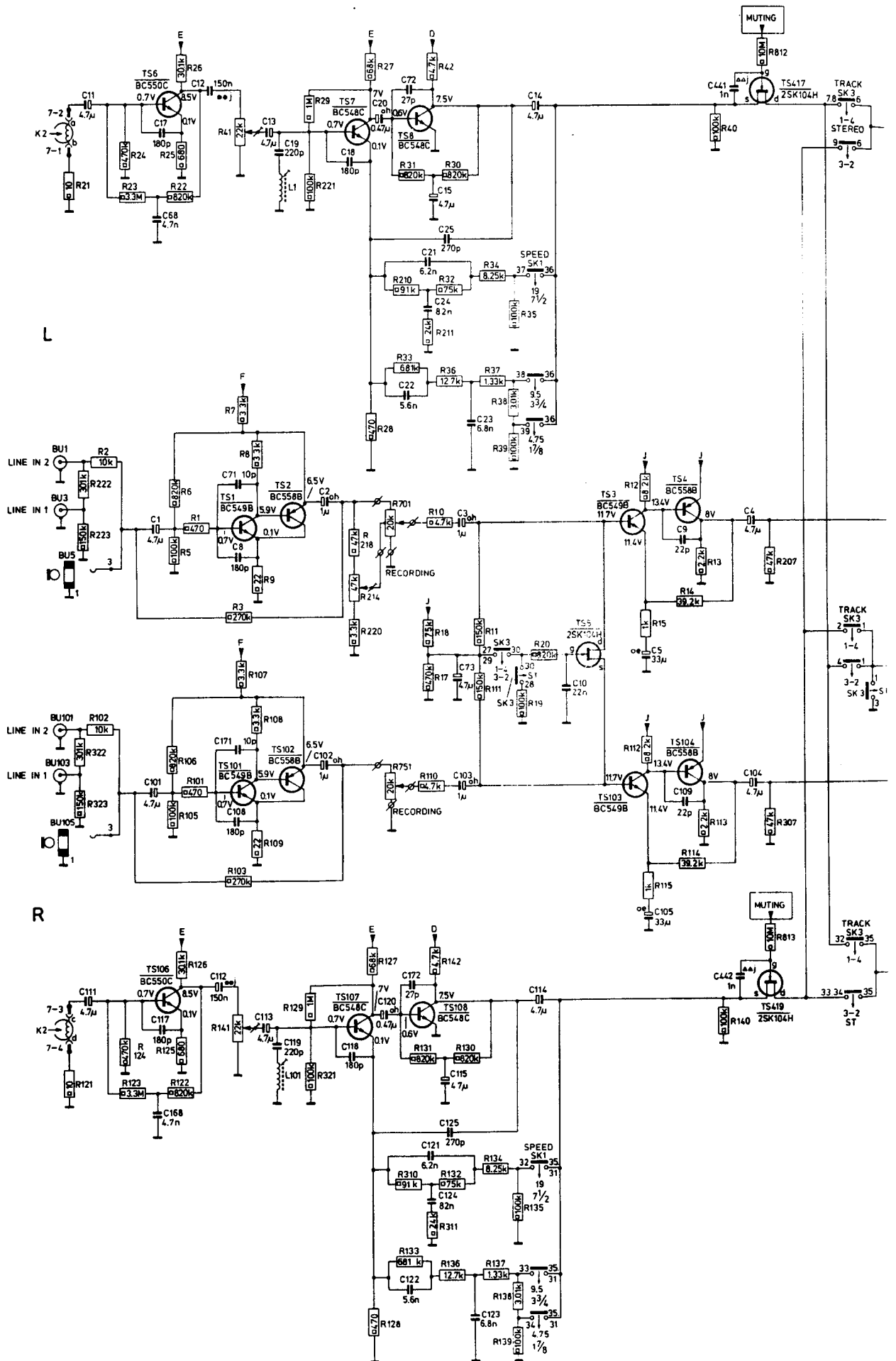
MISC	D450	D451	D452	D453	D454	D455	D456	D457	D458	D459	D460	D461	D462	D463	D464	D465	D466	D467	D468	D469	D470	D471	D472	D473	D474	D475	D476	D477	D478	D479	D480	D481	D482	D483	D484	D485	D486	D487	D488	D489	D490	D491	D492	D493	D494	D495	D496	D497	D498	D499	D500	D501	D502	D503	D504	D505	D506	D507	D508	D509	D510	D511	D512	D513	D514	D515	D516	D517	D518	D519	D520	D521	D522	D523	D524	D525	D526	D527	D528	D529	D530	D531	D532	D533	D534	D535	D536	D537	D538	D539	D540	D541	D542	D543	D544	D545	D546	D547	D548	D549	D550	D551	D552	D553	D554	D555	D556	D557	D558	D559	D560	D561	D562	D563	D564	D565	D566	D567	D568	D569	D570	D571	D572	D573	D574	D575	D576	D577	D578	D579	D580	D581	D582	D583	D584	D585	D586	D587	D588	D589	D590	D591	D592	D593	D594	D595	D596	D597	D598	D599	D600	D601	D602	D603	D604	D605	D606	D607	D608	D609	D610	D611	D612	D613	D614	D615	D616	D617	D618	D619	D620	D621	D622	D623	D624	D625	D626	D627	D628	D629	D630	D631	D632	D633	D634	D635	D636	D637	D638	D639	D640	D641	D642	D643	D644	D645	D646	D647	D648	D649	D650	D651	D652	D653	D654	D655	D656	D657	D658	D659	D660	D661	D662	D663	D664	D665	D666	D667	D668	D669	D670	D671	D672	D673	D674	D675	D676	D677	D678	D679	D680	D681	D682	D683	D684	D685	D686	D687	D688	D689	D690	D691	D692	D693	D694	D695	D696	D697	D698	D699	D700	D701	D702	D703	D704	D705	D706	D707	D708	D709	D710	D711	D712	D713	D714	D715	D716	D717	D718	D719	D720	D721	D722	D723	D724	D725	D726	D727	D728	D729	D730	D731	D732	D733	D734	D735	D736	D737	D738	D739	D740	D741	D742	D743	D744	D745	D746	D747	D748	D749	D750	D751	D752	D753	D754	D755	D756	D757	D758	D759	D760	D761	D762	D763	D764	D765	D766	D767	D768	D769	D770	D771	D772	D773	D774	D775	D776	D777	D778	D779	D780	D781	D782	D783	D784	D785	D786	D787	D788	D789	D790	D791	D792	D793	D794	D795	D796	D797	D798	D799	D800	D801	D802	D803	D804	D805	D806	D807	D808	D809	D810	D811	D812	D813	D814	D815	D816	D817	D818	D819	D820	D821	D822	D823	D824	D825	D826	D827	D828	D829	D830	D831	D832	D833	D834	D835	D836	D837	D838	D839	D840	D841	D842	D843	D844	D845	D846	D847	D848	D849	D850	D851	D852	D853	D854	D855	D856	D857	D858	D859	D860	D861	D862	D863	D864	D865	D866	D867	D868	D869	D870	D871	D872	D873	D874	D875	D876	D877	D878	D879	D880	D881	D882	D883	D884	D885	D886	D887	D888	D889	D890	D891	D892	D893	D894	D895	D896	D897	D898	D899	D900	D901	D902	D903	D904	D905	D906	D907	D908	D909	D910	D911	D912	D913	D914	D915	D916	D917	D918	D919	D920	D921	D922	D923	D924	D925	D926	D927	D928	D929	D930	D931	D932	D933	D934	D935	D936	D937	D938	D939	D940	D941	D942	D943	D944	D945	D946	D947	D948	D949	D950	D951	D952	D953	D954	D955	D956	D957	D958	D959	D960	D961	D962	D963	D964	D965	D966	D967	D968	D969	D970	D971	D972	D973	D974	D975	D976	D977	D978	D979	D980	D981	D982	D983	D984	D985	D986	D987	D988	D989	D990	D991	D992	D993	D994	D995	D996	D997	D998	D999	D1000
------	------	------	------	------	------	------	------	------	------	------	------	------	------	------	------	------	------	------	------	------	------	------	------	------	------	------	------	------	------	------	------	------	------	------	------	------	------	------	------	------	------	------	------	------	------	------	------	------	------	------	------	------	------	------	------	------	------	------	------	------	------	------	------	------	------	------	------	------	------	------	------	------	------	------	------	------	------	------	------	------	------	------	------	------	------	------	------	------	------	------	------	------	------	------	------	------	------	------	------	------	------	------	------	------	------	------	------	------	------	------	------	------	------	------	------	------	------	------	------	------	------	------	------	------	------	------	------	------	------	------	------	------	------	------	------	------	------	------	------	------	------	------	------	------	------	------	------	------	------	------	------	------	------	------	------	------	------	------	------	------	------	------	------	------	------	------	------	------	------	------	------	------	------	------	------	------	------	------	------	------	------	------	------	------	------	------	------	------	------	------	------	------	------	------	------	------	------	------	------	------	------	------	------	------	------	------	------	------	------	------	------	------	------	------	------	------	------	------	------	------	------	------	------	------	------	------	------	------	------	------	------	------	------	------	------	------	------	------	------	------	------	------	------	------	------	------	------	------	------	------	------	------	------	------	------	------	------	------	------	------	------	------	------	------	------	------	------	------	------	------	------	------	------	------	------	------	------	------	------	------	------	------	------	------	------	------	------	------	------	------	------	------	------	------	------	------	------	------	------	------	------	------	------	------	------	------	------	------	------	------	------	------	------	------	------	------	------	------	------	------	------	------	------	------	------	------	------	------	------	------	------	------	------	------	------	------	------	------	------	------	------	------	------	------	------	------	------	------	------	------	------	------	------	------	------	------	------	------	------	------	------	------	------	------	------	------	------	------	------	------	------	------	------	------	------	------	------	------	------	------	------	------	------	------	------	------	------	------	------	------	------	------	------	------	------	------	------	------	------	------	------	------	------	------	------	------	------	------	------	------	------	------	------	------	------	------	------	------	------	------	------	------	------	------	------	------	------	------	------	------	------	------	------	------	------	------	------	------	------	------	------	------	------	------	------	------	------	------	------	------	------	------	------	------	------	------	------	------	------	------	------	------	------	------	------	------	------	------	------	------	------	------	------	------	------	------	------	------	------	------	------	------	------	------	------	------	------	------	------	------	------	------	------	------	------	------	------	------	------	------	------	------	------	------	------	------	------	------	------	------	------	------	------	------	------	------	------	------	------	------	------	------	------	------	------	------	------	------	------	------	------	------	------	------	------	------	------	------	------	------	------	------	------	------	------	------	------	------	------	------	-------

For Service Manuals Contact
MAURITRON TECHNICAL SERVICES
 8 Cherry Tree Rd, Chinnor
 Oxon OX9 4QY
 Tel: 01844-351694 Fax: 01844-352554
 Email: enquiries@mauritron.co.uk

- ⊞ CARBON RESISTOR 0.1W
- ⊞ CERAMIC CAPACITOR
- ⊞ POLYESTER CAPACITOR
- ⊞ MINIATURE ELECTROLYTIC CAPACITOR
- ⊞ 4.5V
- ⊞ 4.75V
- ⊞ 4.0V
- ⊞ 6.3V
- ⊞ 100V

Fig. 16

MISC	K2	BU1	BU3	BU5	TS6	TS11L1	TS2	TS7	TS8	TS5	TS3	TS4	TS417
MISC	BU101	105	103		TS106	TS101L1	101	TS107	TS108		TS103	TS104	TS419
C	11				68, 171	8, 12, 71	13, 19, 2	18, 73	20-25, 72, 3, 15	14	10, 5	9, 4	4, 41
C	111				168, 117, 101	171, 108, 112	113, 119, 102	118	120-125, 172, 103, 115	114	105, 109	104, 44, 2	
R	21, 2	222, 223	22-26	1, 3, 5-9	41	220, 221	214, 216, 701, 210	27-33, 211, 10, 11, 42, 34-39, 17-20			12, 15	14, 13	40, 207, 812
R	121, 102, 322, 323	122-126	101	103, 105-109, 141		321		310, 751, 127-133, 311, 110, 111, 134-139, 142			112, 115	114, 113, 140	307, 813



TSS	TS3	TS4	TS417	BU2	TS428	TS9	TS10	D12	TS14,15						
14	10	5	9	4	441	29	39	69	31-38	27	28	48	40	49	52
114	105	109	104	442	439	174	129	139	169	131-138	127	128	140		
	12,15	14,13	40		207,812	62	63	44	45	206,46-49	51-56	58	57	59	60,82-88
	112,115	114,113	140		307,813	810	163	144	145	306,146-149	151-156	158	157	159	160
						811	162								

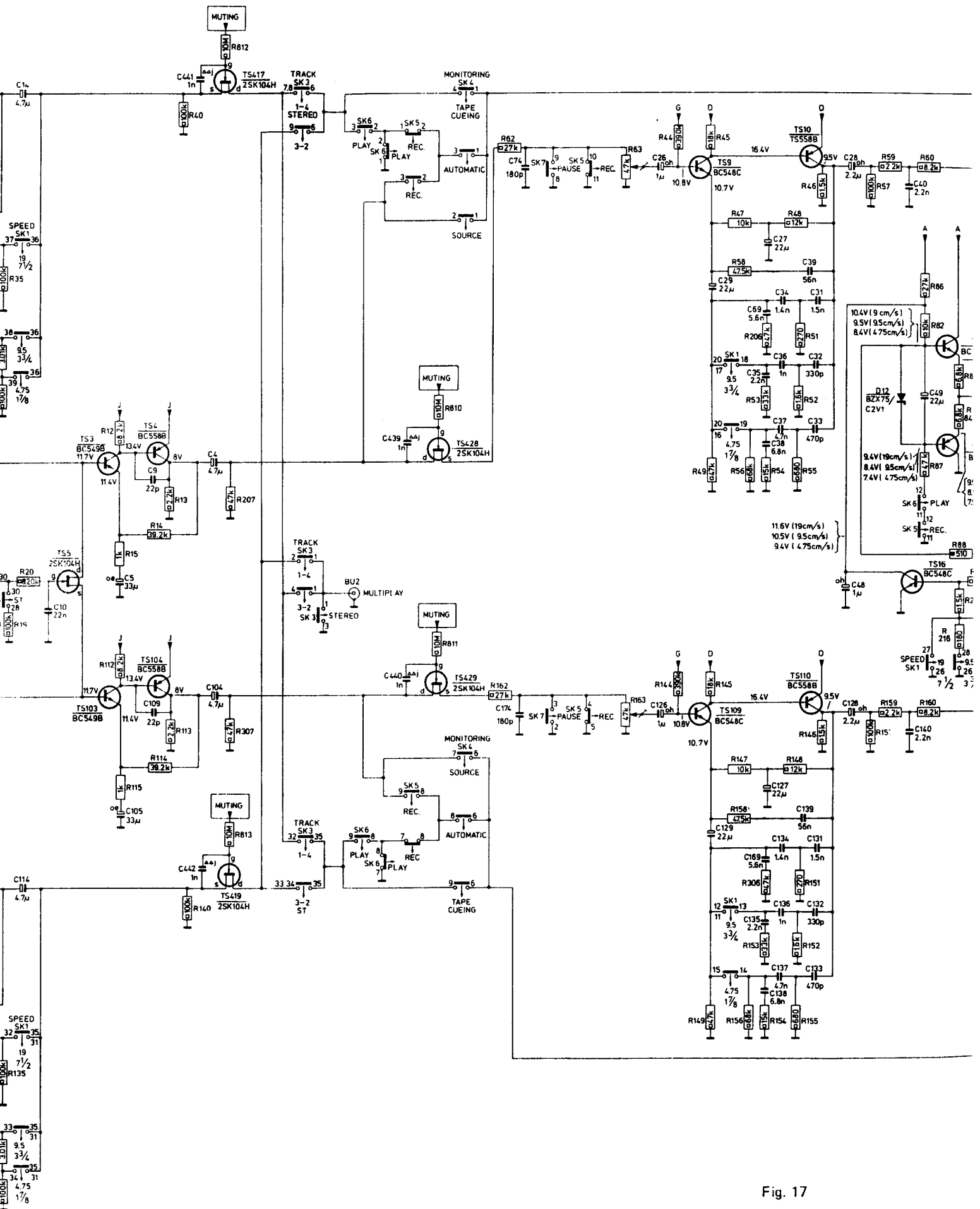


Fig. 17

TS9				TS10				D12/TS14/5				K3				K1				BU4/TS11				TS1			
TS109				TS110				TS16												BU104/TS111				TS1			
26	29	39	69,31-38,27	28	48	40	49	52	53	50	51	67	44	45	70	41	702	703	202	66,72-76	208	209	57	69	58	75	
126	129	139	169,111-138,127	128	140	60,82-88	89	90	61	144	145	170	141	752	753	302	166,172-174	308	309	167	169	168	175				
63	44	45	206,46-49	51-56	58	157	159	160	216,217	215	190	161															
163	144	165	306,146-149	151-156	158																						

For Service Manuals Contact
MAURITRON TECHNICAL SERVICES
 8 Cherry Tree Rd, Chinnor
 Oxon OX9 4QY
 Tel: 01844-351694 Fax: 01844-352554
 Email: enquiries@maurtron.co.uk

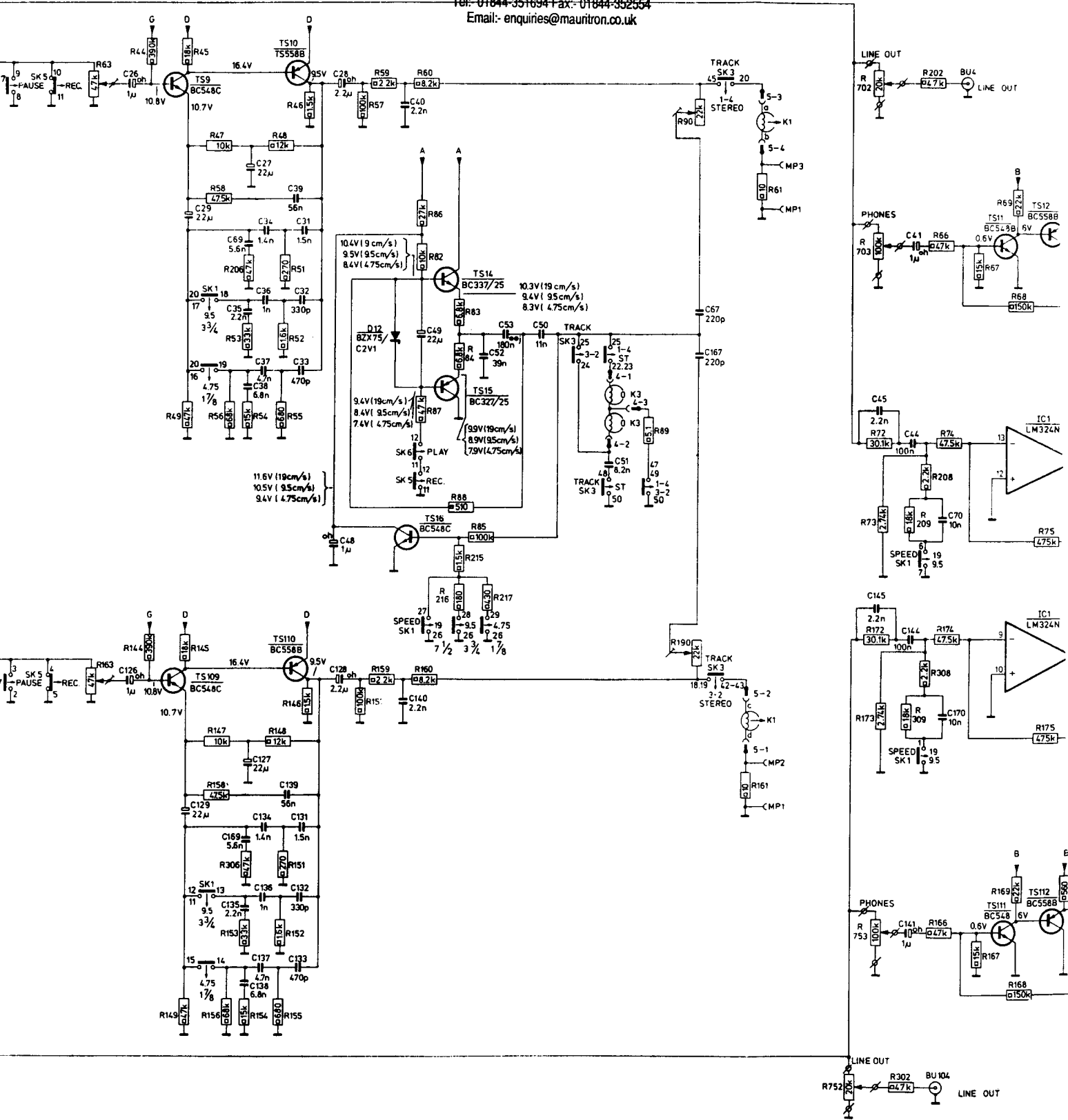
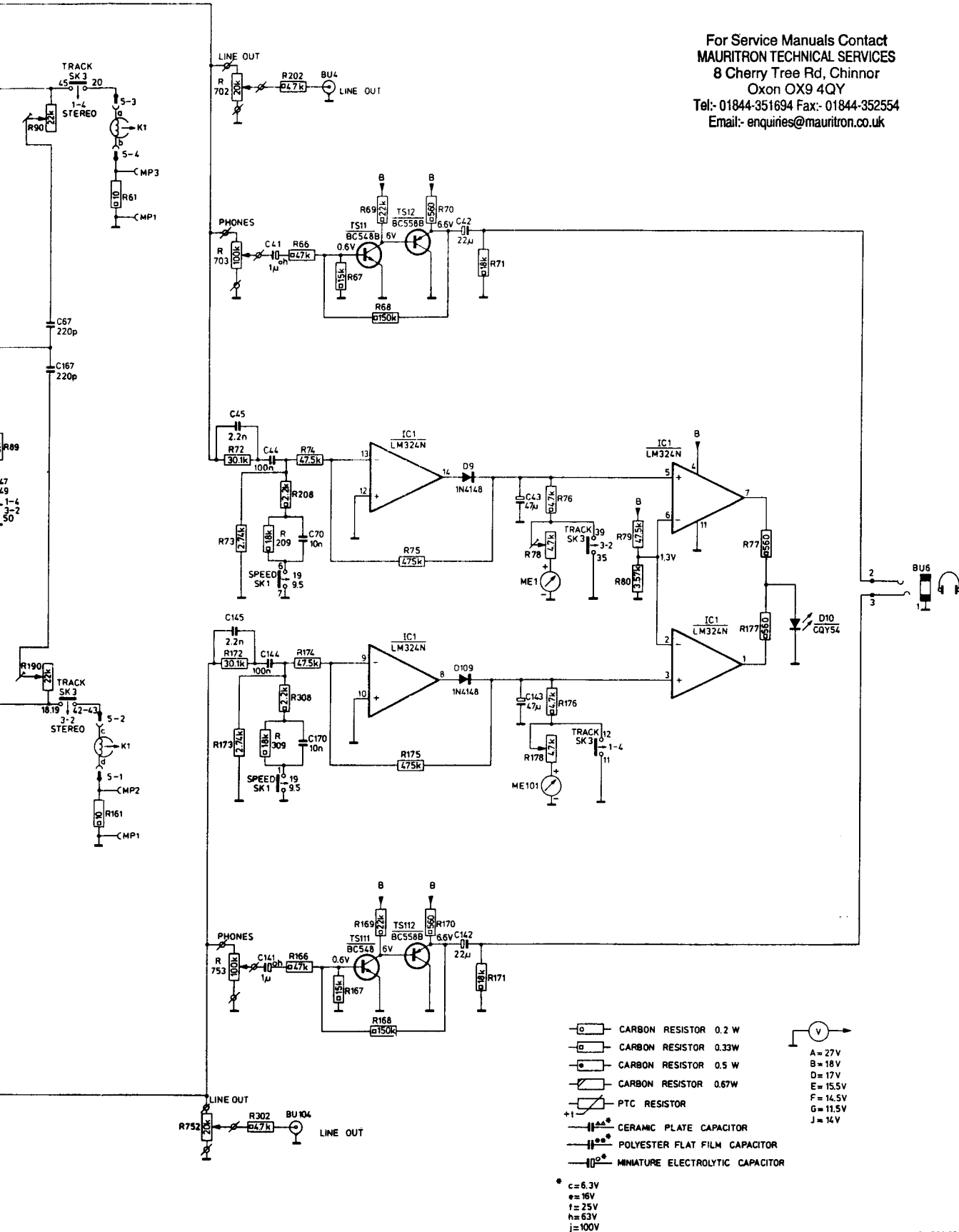


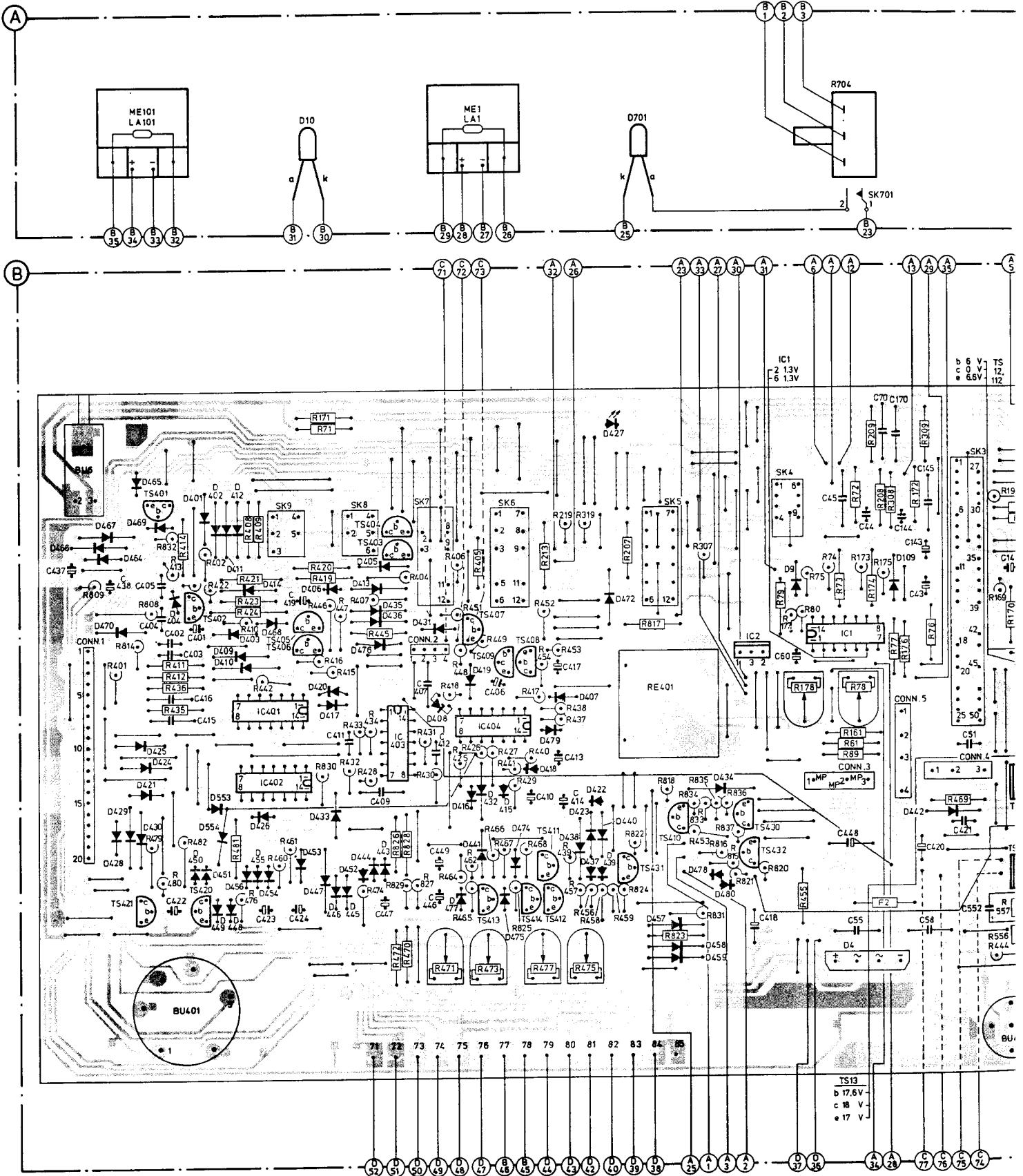
Fig. 17

	K1	BU4 TSM	TS12	D9	ME1	IC1	D10	BU6
		BU104 TS111	TS12	D109	ME101			
67	44	45	70	41	42	43		
167	144	145	170	141	142	143		
90	61	702	703	202	66	72-74	208	209
190	161	752	753	302	166	172-174	308	309
					167	169	168	175
					170	171	176	178
								77
								177

For Service Manuals Contact
MAURITRON TECHNICAL SERVICES
 8 Cherry Tree Rd, Chinnor
 Oxon OX9 4QY
 Tel:- 01844-351694 Fax:- 01844-352554
 Email:- enquiries@mauritron.co.uk



MISC	ME101	LA101	TS421	TS401	TS420	TS402	IC401	IC402	D10	TS403-TS406	IC403	TS407-TS409	IC404	TS411-TS414	ME1	LA1	D701	RE401	TS410	IC2	TS430	TS431	R704	IC1	SK701	TS427	D4	TS415	TS11	TS11T	TS					
			438	401-405	416	415			419			407		406			417					60				43-45		143-145								
C	437		422	553			423	424	411	409	447	449	446	412			410	413	414			418			448	55	70	170	58	420	421	51				
D	469	464-467	470	411	401	402	412	410	409	403	414	468	417	406	420	405	436	435	408	431	476	477	419	441	415	418	479	407	439	440	472	427				
	553	554	428	430	421	425	424	404	426	456	453	455	433	443	443	443	443	443	443	443	443	443	443	443	443	443	443	443	443	443	443	443	443	443		
R	809	808	413	422	832	424	423	402	420	419	421	408	409	433	434	446	447	407	440	404	445	406	405	451	454	452	213	219	319	417	453	207				
	480	478	401	814	479	435	436	412	411	481	71	171	442	830	428	432	415	474	416	431	418	448	449	421	417	462	473	417	439	477	475	437	438	817	818	



For Service Manuals Contact
MAURITRON TECHNICAL SERVICES
 8 Cherry Tree Rd, Chinnor
 Oxon OX9 4QY
 Tel: 01844-351854 Fax: 01844-352554
 Email: enquiries@mauritron.co.uk

Fig. 18

TS403-TS406 IC403	TS407-TS409 IC404	TS411-TS414 ME1 LA1 D701.RE401	TS410	IC2.TS430.TS431	R704.IC1 SK701.TS427.D4.TS445.TS12.TS111.TS11-TS13.TS422-TS426.R703.R753.TS417.TS419.TS429.TS428.TS4.TS104.TS103.TS1.TS14-TS16.R70
407	406	417		60	43-45
409.447.449.446.412		410.413.414	418	448-55	70.170.58.420.421.51
405.436.435.408.431.476.477.419	441.415.418.479.407.439.440.472.427			109.442	463.461.462.460
443-452.413	416.432.475.474.423.438.437.422.457.459.458.480.478.434			9	19.20.17
434.446.447.407.440.404.445.406.405.451.454.452.213.219.319.417.453.207	307			72.209.208.308.173	309
415.474.416.431.418.448.449.471.417.462.473.417.439.477.475.437.438.817.818	443.833-837.816.178.78.61.161.73			74-80	489.449.170.166-168.66-70.81
425-431	825-829.472.470.441.464-468	457.456.458.459.824.822	823.831.815.821.820	455.89.173-177	169.557.556
					444.807.499.222.223.487-497.225
					484-486.813.202.322.302.323.88.82-84.86.87

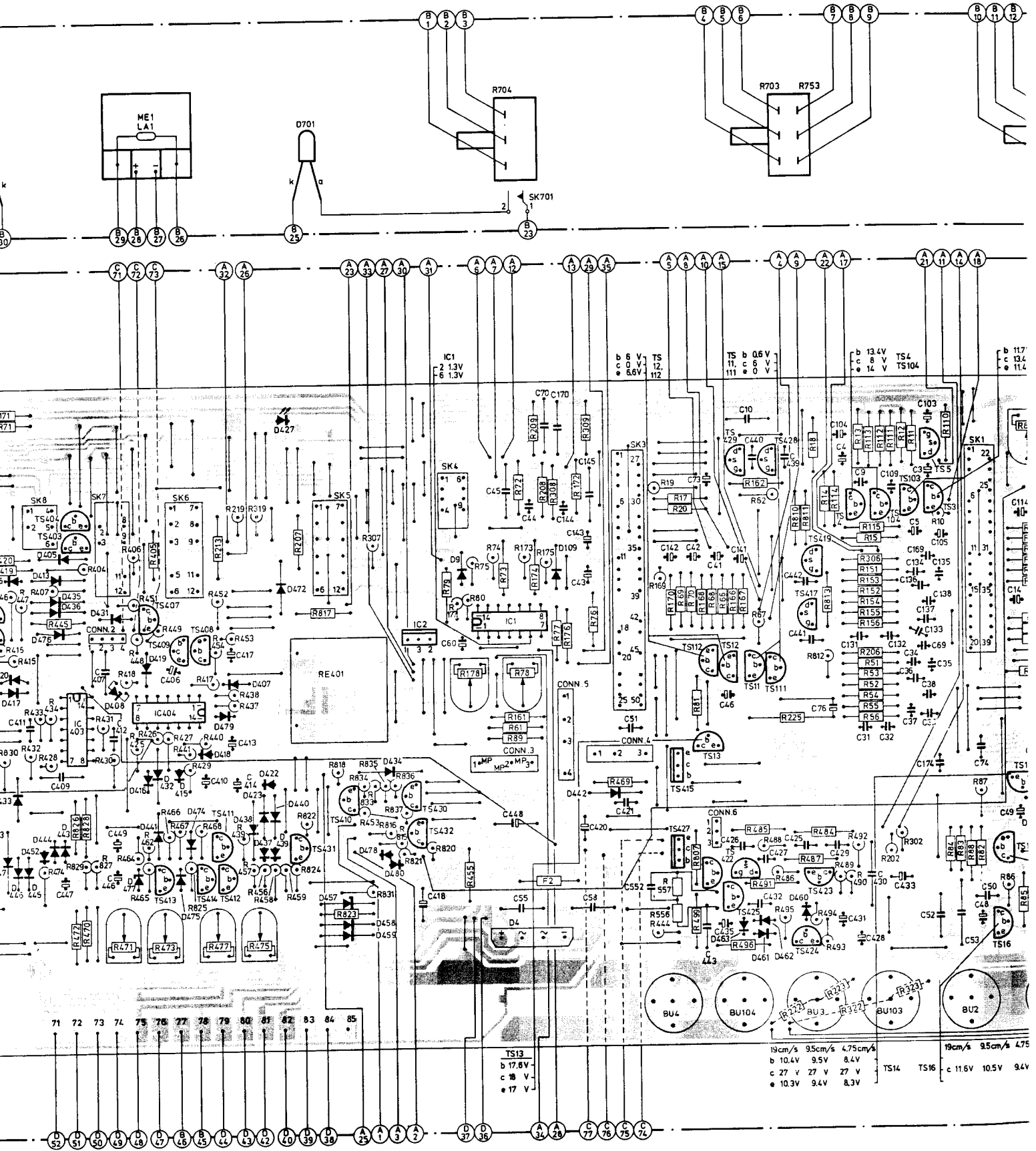
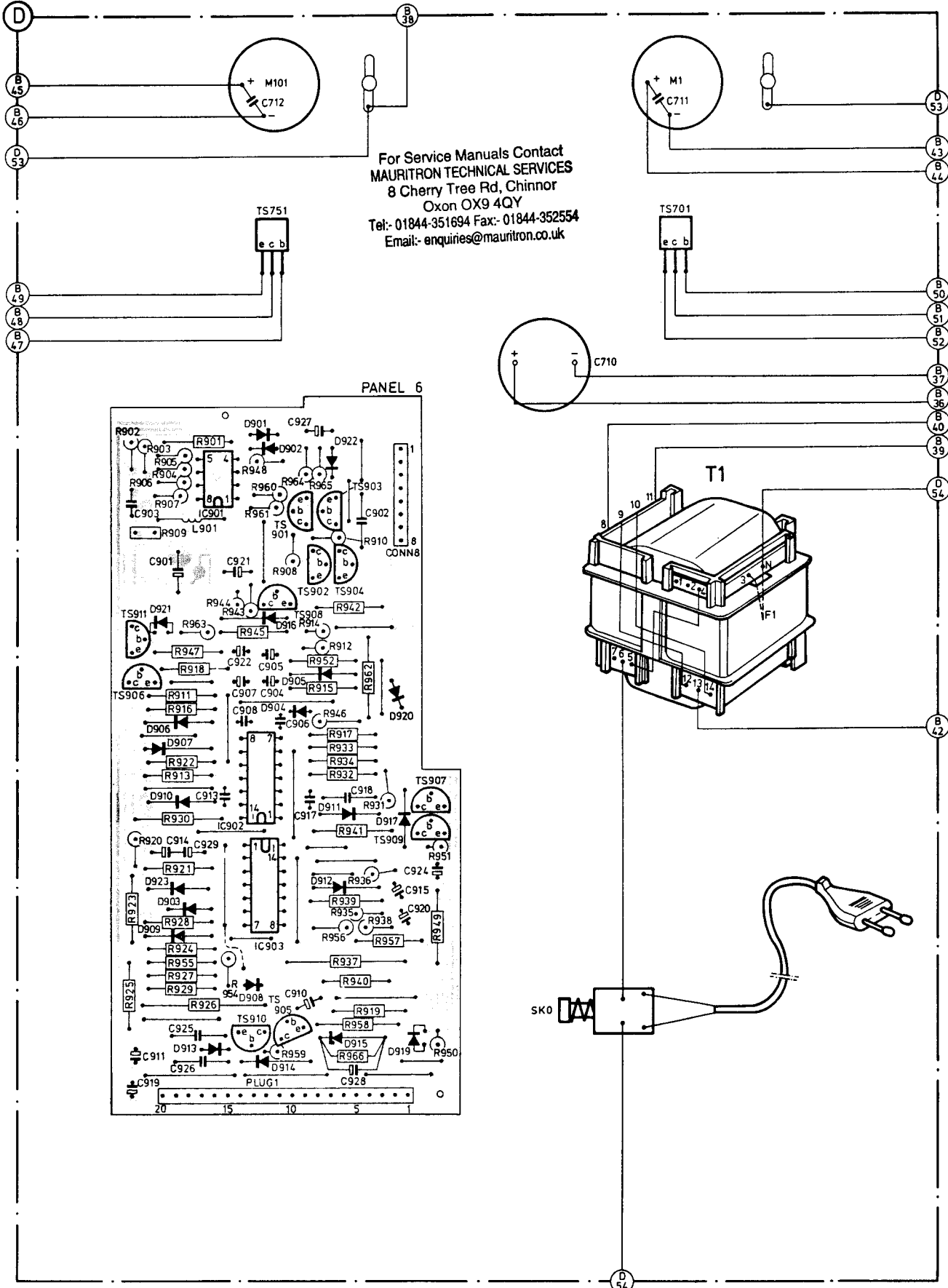


Fig. 18

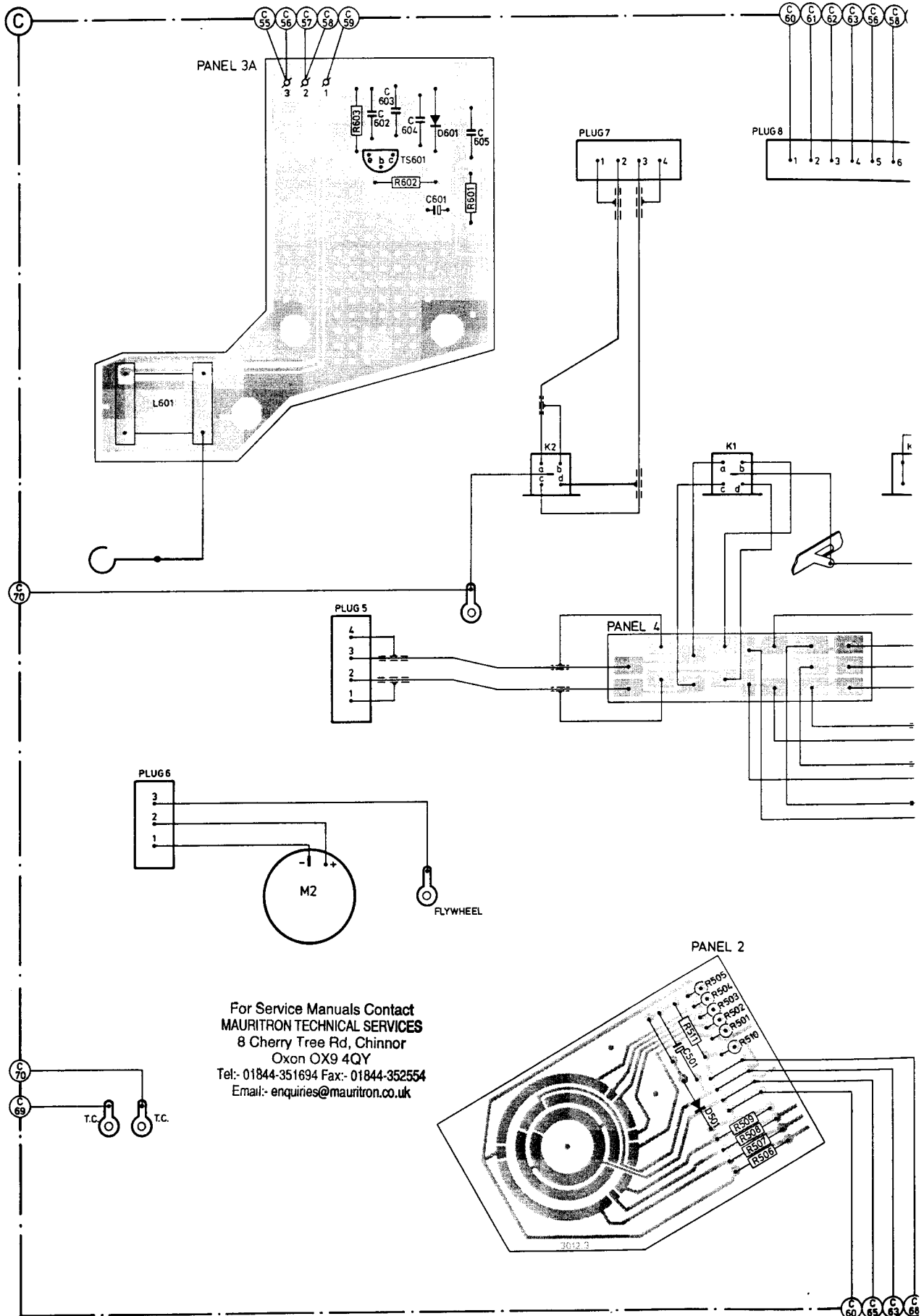
MISC	L 901	IC 901	IC 903	IC 902	M101	PLUG 1	CONN. 8	SKO	M1. T1	F1
C	903	901.928	922.921	904-908	927	902			710	
D	929	919.911	926.925	914.913	912	910.917	918.920	915.924		711
R		963.901-909	943-945	964.965	932-934	917.946	915.952	912.914	910.966	962
TS		955.913	916.911	920-930	918.94.8	954.947	931.935-942	956-961	919.949-951	
		906.911		751.910.	905.908		901-904		909.907	701



For Service Manuals Contact
MAURITRON TECHNICAL SERVICES
 8 Cherry Tree Rd, Chinnor
 Oxon OX9 4QY
 Tel:- 01844-351694 Fax:- 01844-352554
 Email:- enquires@mauritron.co.uk

Fig. 19

MISC.	PLUG6	L601	M2	PLUG5	TS601	D601	K2	PLUG7	DS01	K1	PLUG8
C					601-605				501		
R					603	602	601		501-510 511		



For Service Manuals Contact
MAURITRON TECHNICAL SERVICES
 8 Cherry Tree Rd, Chinnor
 Oxon OX9 4QY
 Tel:- 01844-351694 Fax:- 01844-352554
 Email:- enquiries@mauritron.co.uk

Fig

M2 PLUG5 TS601 D601 K2 PLUG7 D501 K1 PLUG 8 K3 M3.PLUG 4.PLUG 2.D551.D552
601-605 501 551
603 602 601 501-510.511 553.554.552.551.555

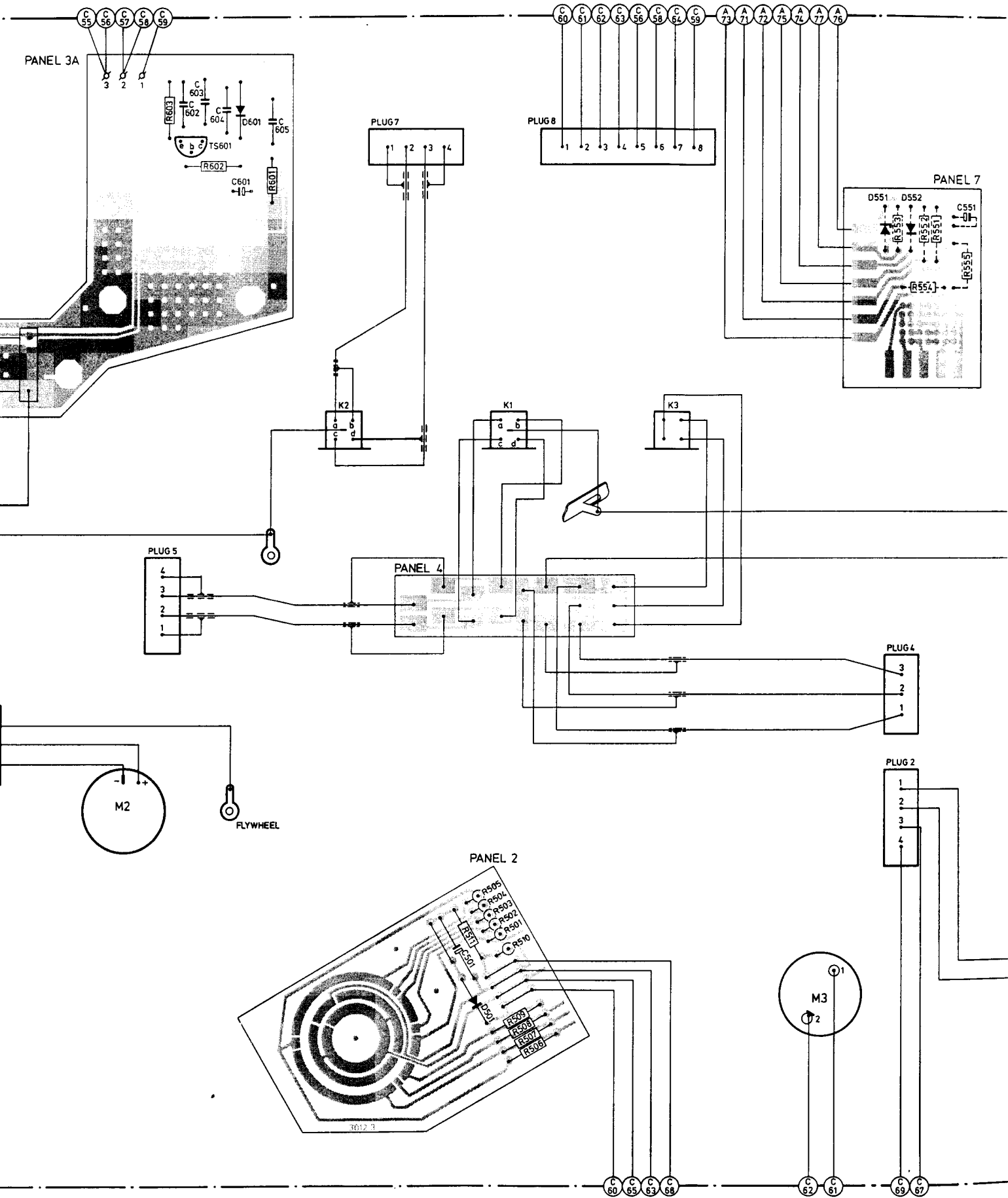
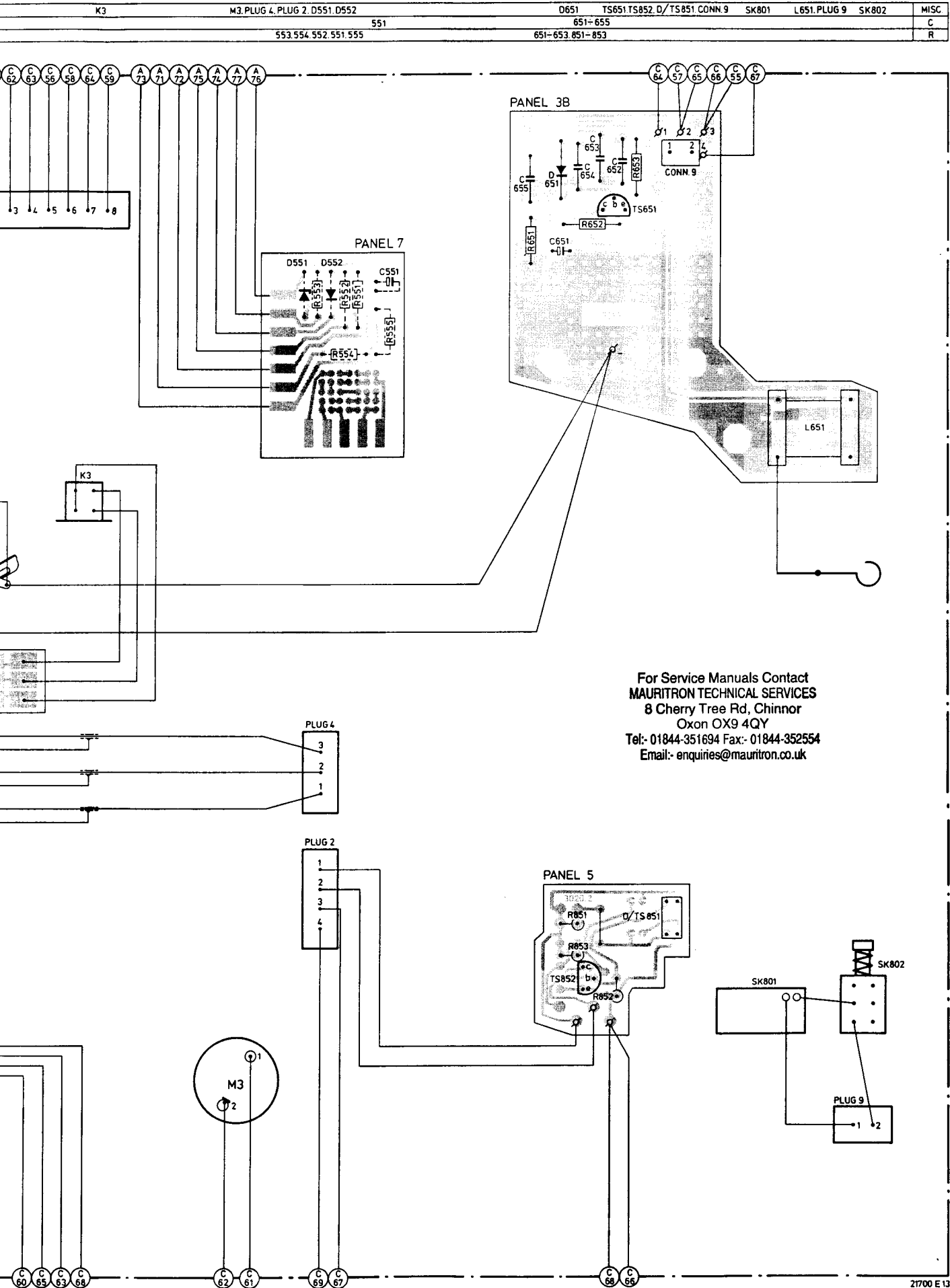


Fig. 20



For Service Manuals Contact
MAURITRON TECHNICAL SERVICES
 8 Cherry Tree Rd, Chinnor
 Oxon OX9 4QY
 Tel:- 01844-351694 Fax:- 01844-352554
 Email:- enquiries@mauritron.co.uk

Fig. 20

MISC.	BUS	BU105	BU101	BU1	BU2.SK1	BU103	BU3	BU104	BU4	SW3
	TS1 TS2	TS101 TS102	TS6 TS106 L101 L1	TS9 TS109 TS10 TS10	TS107 TS108 TS7 TS8	TS14 TS15 TS16 TS5 TS3	TS103 TS104 TS4 TS428 TS429 TS419 TS417 TS422 - TS426	TS11 - TS13 TS111 TS112 TS427 D4 TS4		
C	8 71 102 2	1711 111 117 139 120 115 68 19 112 119 113 16 118 13 18 172	72 121 - 125 21 - 25 114 14	103 - 105 3 31 - 38 69 131 - 138 169 9 109 5 76 439 - 442 141 41 42 142 46 73 552 143 - 145	170					
D	1 6 101 171	108 127 128 27 39	168 12 28 - 30 129 26 126 20 15	40 14 0 67 167	4 8 - 50 53 74 174	52 433 430 428 431 429 425 - 427 432 435 10 4 443				51 - 21 420 58
R	220 214 218 102	121 - 131 43 142 321 217 226 141 221 310 311 801 - 806 132 - 140	12	151 - 156 10 - 15 110 - 115 306 812 18 811 810 162 62	17 20 19 165 309					44
	1 + 3 5 - 9 108 109 103	158 21 - 26 44 - 49 27 - 30 31 41 144 - 146 32 - 40 210 211 190 90	87	323 322 223 222 51 - 56 206 427 225	81 66 - 70 166 - 170 469					
	105 107 106 101 16	148 147 58 149	63 - 65 42	163 157 57 59 159 60 160 215 85 86 82 - 84 88 302	202 813 484 - 486 487 488 - 496					499 807 444 556 557

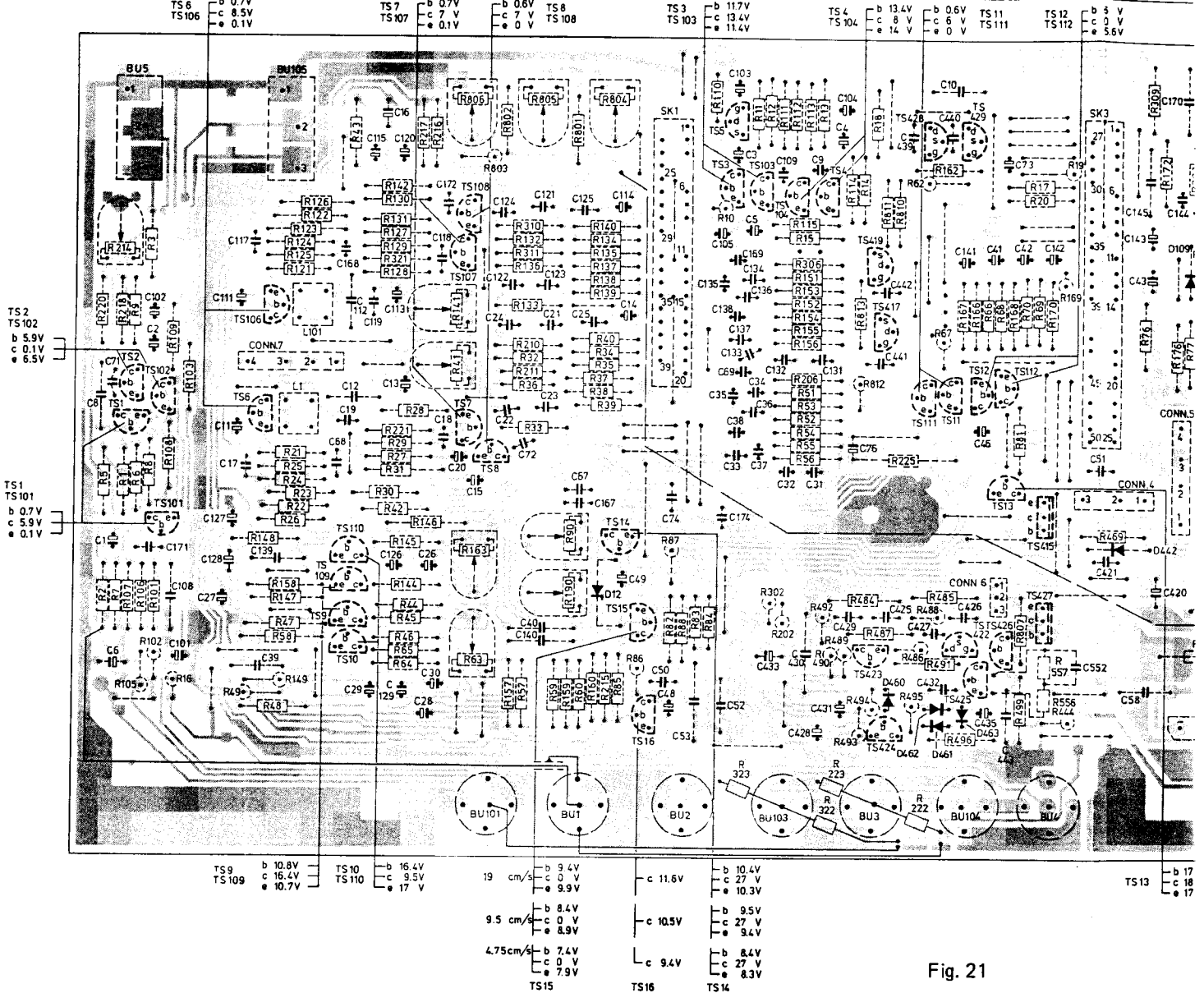


Fig. 21

R	506 507 508 509	510 501 502 503 504 505 511
MISC.	DS01 CS01	

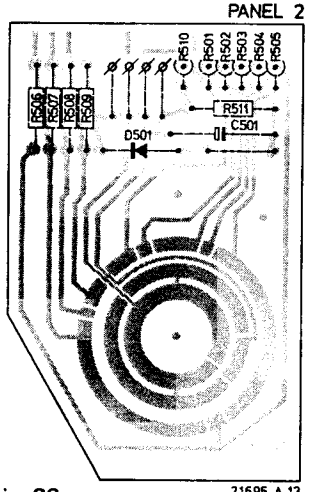
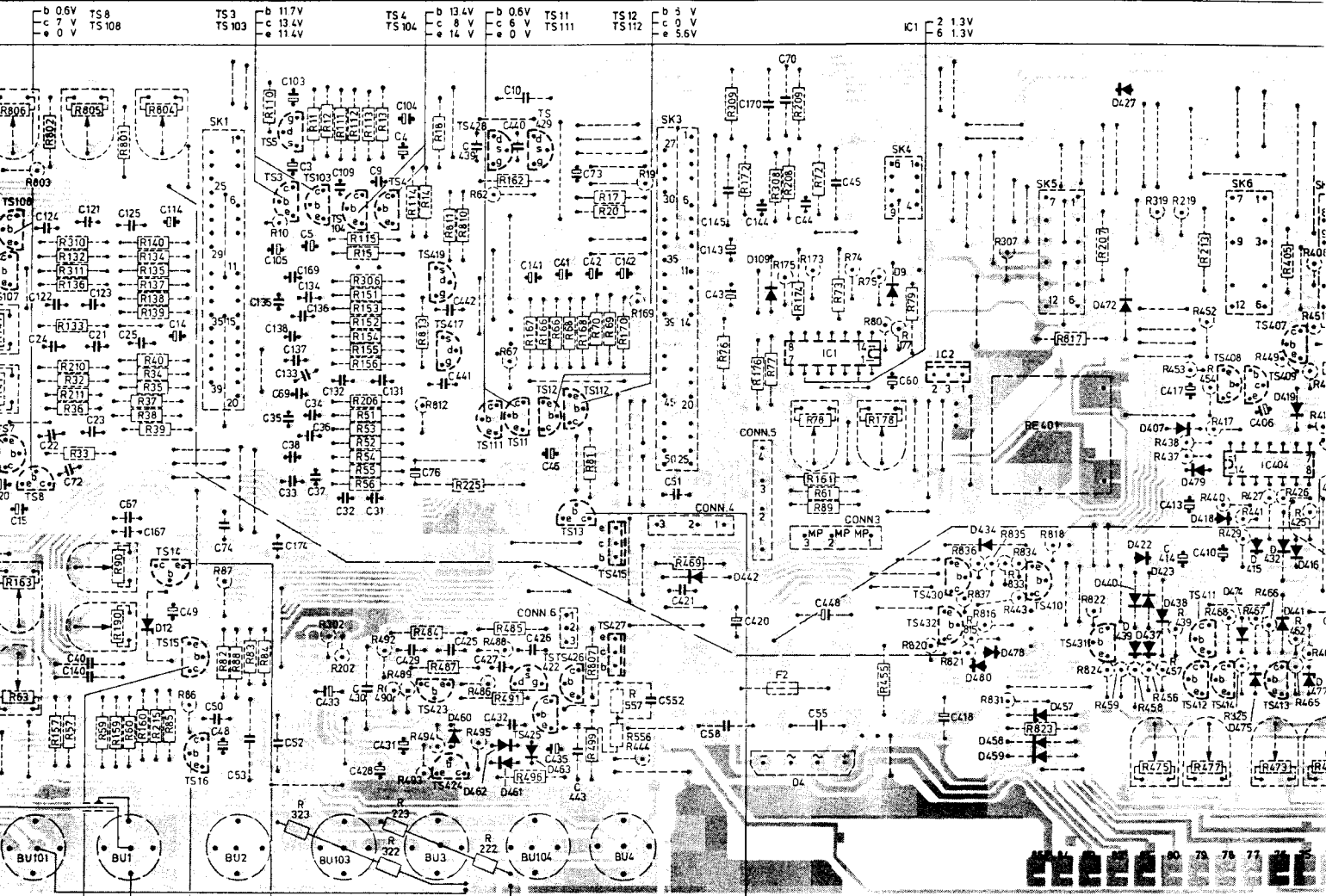


Fig. 22

21695 A 13

For Service Manuals Contact
MAURITRON TECHNICAL SERVICES
 8 Cherry Tree Rd, Chinnor
 Oxon OX9 4QV
 Tel: 01844-351894 Fax: 01844-350554
 Email: enquiries@mauritron.co.uk

BU101	BU1	BU2 SK1	BU103	BU3	BU104	BU4	SK3	SK4	SK5	TS131	SK6
707 TS108 TS7 TS8	TS14 TS15 TS16	TS5 TS3	TS103 TS104 TS4 TS428 TS429 TS497 TS417 TS422 - TS426	TS11 - TS13	TS111 TS112 TS427 D4 TS415	IC1	TS430 TS432 IC2	TS410 RE401	TS431	TS411 - TS414	IC404 TS407 -
18 172	72121-125 21-25	114 14	103-105 3 31-38 69 131-138 169 9 109 576 439-442 141 41 42 142 46 73 552	429 430 428 431 429 425-427 432 435 10 4 443	51 421 420	58	55 448	60	418	414 413 410	419 416
20 15	40 140	67 167	48-50 53 74 174	52 433 430	428 431 429 425-427 432 435 10 4 443	51 421 420	58	55 448	60	418	414 413 410
12	151-156 10 -5	110-115 306 812	18 811 810 162 62	17 20 19 169 309	308 208 209 72	9	434 478 480 458 459 457 422 437 438 423 474 475 432 416	307	207 453 417 319 219 213 452 454 451 405 4	414 413 410	419 416
144-146	32-40 210 211 190 90	87	323 322 223 222	51-56 206 427 225	81 66-70 166 -170	469	74-80 73 161 61 89 178	816 833-837 443	818 817 438 437 475 477 439	473 462 471 4	419 416
2	163 157 57 59 159 60 160 215 85	86 82-84 88	302	202 813 484-486 487 488 -496	499 807 444 556 557	172-177	455	821 815 831	823 820 822 824 459 458 456 457	429 464-468 44	419 416

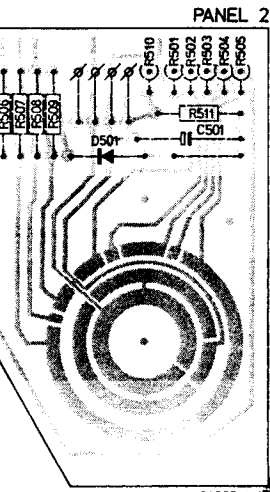


19 cm/s	b 9.4V c 0 V • 9.9V	c 11.6V	b 10.4V c 27 V • 10.3V
9.5 cm/s	b 8.4V c 0 V • 8.9V	c 10.5V	b 9.5V c 27 V • 9.4V
4.75 cm/s	b 7.4V c 0 V • 7.9V	c 9.4V	b 8.4V c 27 V • 8.3V

Fig. 21

MISC	D601	TS601	L601
C	605	601.604. 603. 602	
R	601	602	603

507 508 509	510 501 502 503 504 505 511
0501	C501



21695 A

PANEL 3A

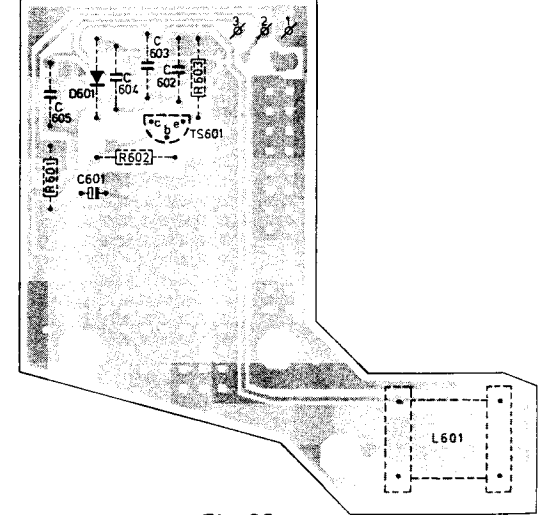
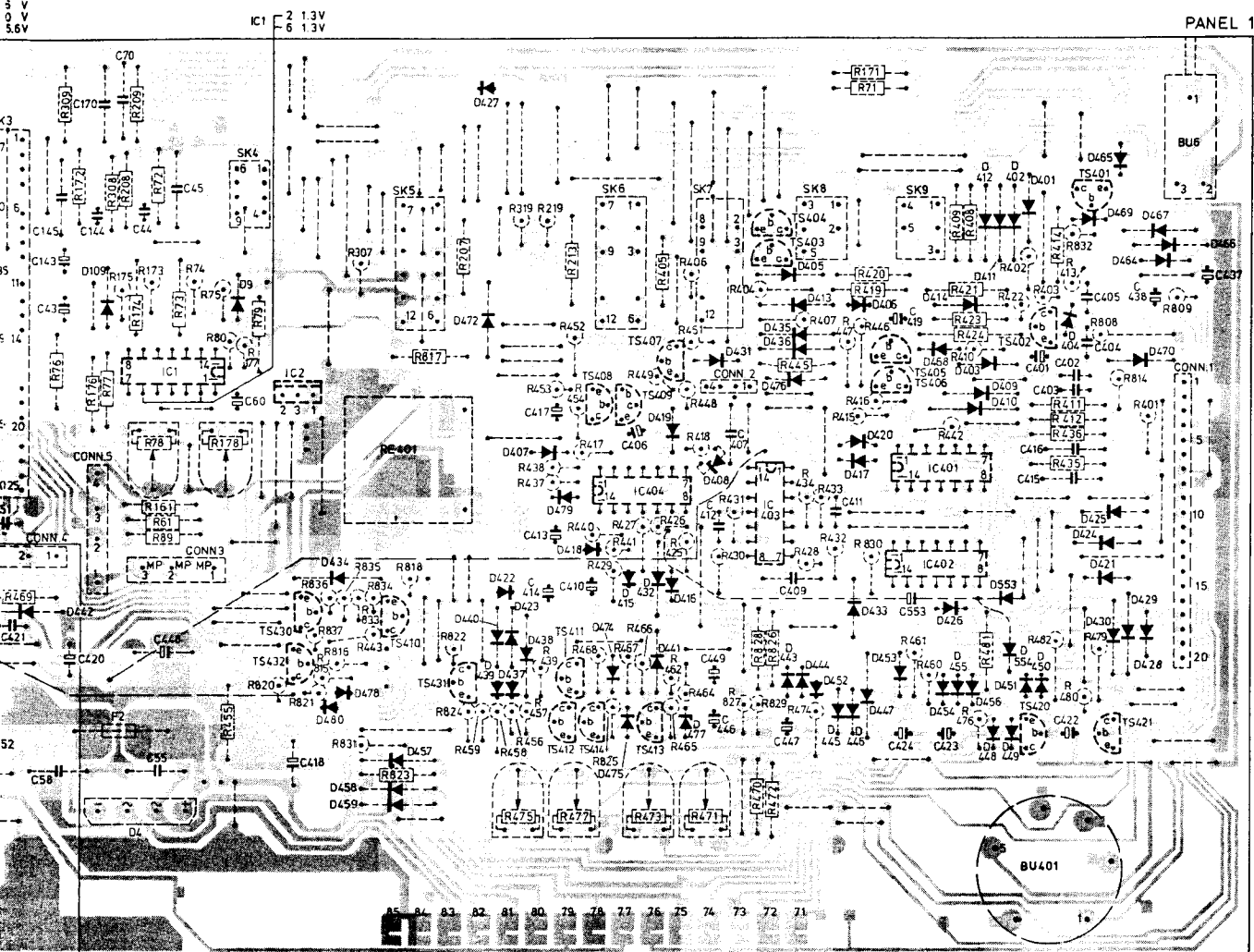
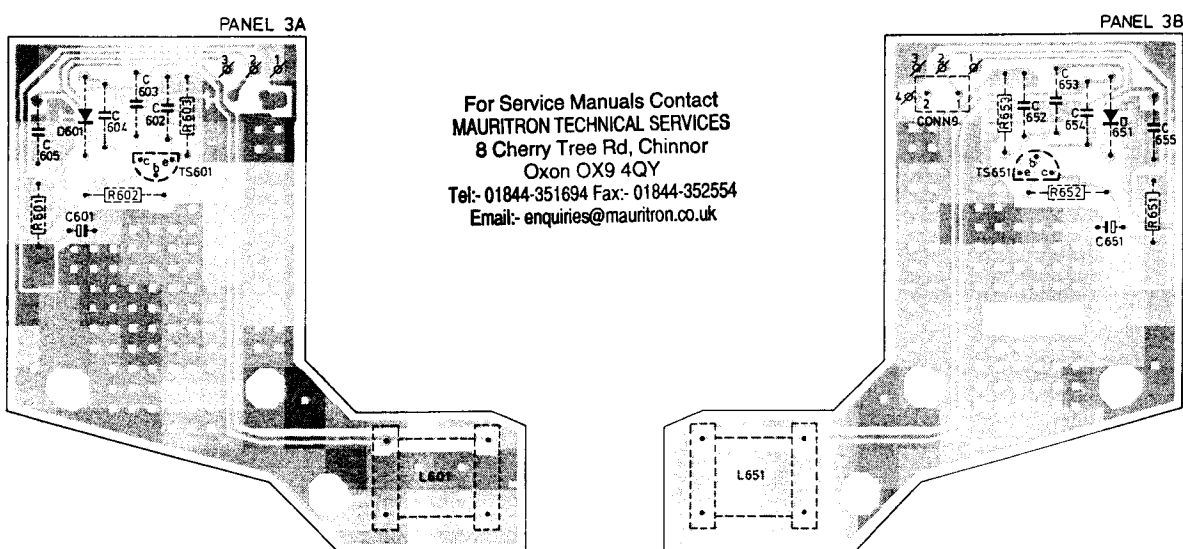


Fig. 23

SK3	SK4	SK5 TS431	SK6	SK7	SK8	SK9	BU6	MISC.
S112 TS427 D4 TS415	IC1 TS430 TS432 IC2	TS410.RE401 TS431	TS411-TS414 IC404 TS407-TS409	IC403 TS403-TS406	IC402 IC401	TS402 TS420 TS401 TS421		
3-145	170.43-45.70	60	417	406	407	419 553 415 416 401-405	438	C
421 420 58	55 448	418	414 413 410		412 446 449 447 409 411	424 423	422	D
	442 109	9	434 478 480 458 459 457 422 437 438 423 474 475 432 416		413 443-451 433	452-456 553 426 404 474 425 554 421 428-430	427 428 429	R
S 309	308 208 209 72	307	207 453 417 319 219 213 452 454 451 405 406 445 404 440 407 447 446		434 433 409 408	421 419 420 402 423 424 832 422	413 808 809	
170 469	74-80	73 161 61 89 178	816 833-837 443	818 817 436 437 475 477 439	473 462 471 448 449 451	418 431 416 474 415 432 428 830 442	171 71 481 411 412 436 435 479 814 401 478 480	
657	172-177	455	821 815 831	823	820 822 824 459 458 456 457	429 464-468 441 470 472	430 825+829 425-427 461 460	476 476 478 403 482 414



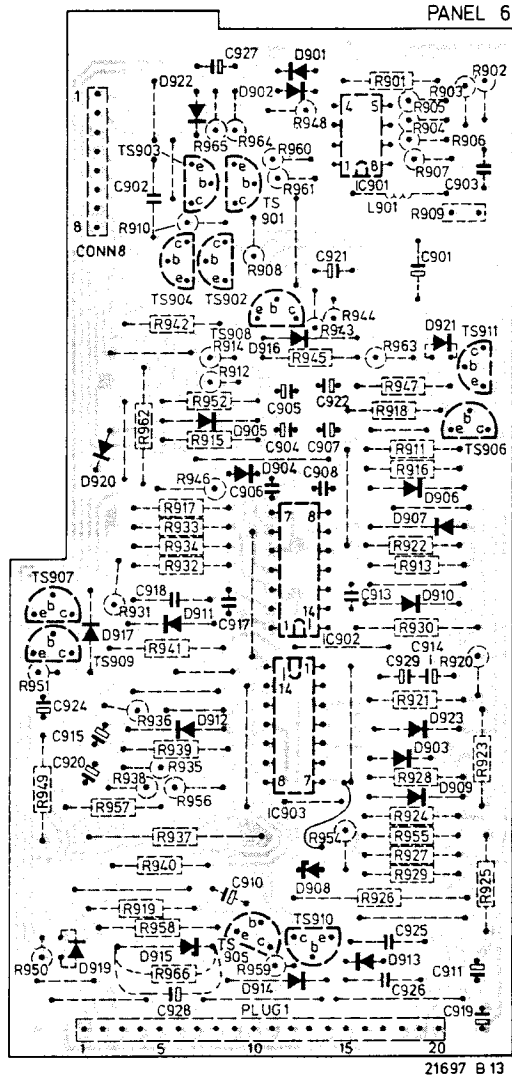
MISC.	D601	TS601	L601	L651	CONN9	TS651	D651
C	605	601.604 603 602				652 653 654 651 655	
R	601	602	603			653 652	651



For Service Manuals Contact
MAURITRON TECHNICAL SERVICES
 8 Cherry Tree Rd, Chinnor
 Oxon OX9 4QY
 Tel: 01844-351694 Fax: 01844-352554
 Email: enquiries@mauritron.co.uk

Fig. 23

MISC	IC902 IC903 IC901 L901											
C	902	927	904-908	921 922	901	903						
D	920 917 919 922 905 904 911 912-915 901 902 916 906-910 921 923 903											
R	962 966 910 914 912 952 915 946 917 932-934 965 964 943-945 901-909 963											
TS	949-951 919 956-961 935-942 931 948 947 954 955 918 920-930 911 916 913											
	907 909	901-904	908 905 910									911 906



For Service Manuals Contact
MAURITRON TECHNICAL SERVICES
 8 Cherry Tree Rd, Chinnor
 Oxon OX9 4QY
 Tel:- 01844-351694 Fax:- 01844-352554
 Email:- enquiries@mauritron.co.uk

Fig. 24

R	852	851 853
MISC	D/TS 851	TS852

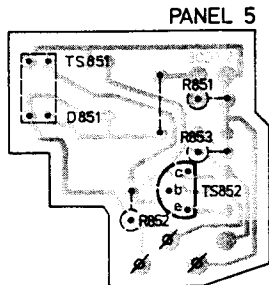


Fig. 25

D	551	552
C	551	
R	553 554, 552, 551, 555	

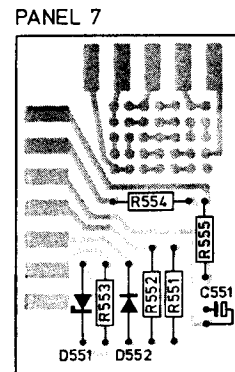


Fig. 26

ELECTRICAL PARTS LIST

-C-				-D-		
1-4-11-13-14- 15-73-101-104- 111-113-114- 115-423-424- 428-927	} 4 μ 7	35 V	4822 124 40313	BY225-100	4822 130 30917	
8-17-18-74- 108-117-118- 174				} 180 p	50 V	4822 122 31474
9-109	22 p	50 V	4822 122 31463			
10-409-410	22 n	250 V	4822 121 40407	BZX79/C6V2	4822 130 34167	
19-67-119-167	220 p	50 V	4822 122 10172	BZX79/C12	4822 130 34197	
21-121	6.2 n	63 V	4822 121 50633	BZX79/C27	4822 130 34379	
22-122	5.6 n	63 V	4822 121 50543	CQY54	4822 130 30914	
23-123	6.8 n	63 V	4822 121 50538	D/TS851	4822 256 90244	
24-124	82 n	50 V	4822 122 40208	IN4002	5322 130 30684	
25-125	270 p	50 V	4822 122 31465	IN4148	4822 130 30621	
27-29-42-49- 127-129-142- 446-447-501	} 22 μ	16 V	4822 124 40312	For Service Manuals Contact MAURITRON TECHNICAL SERVICES 8 Cherry Tree Rd, Chinnor Oxon OX9 4QY Tel: 01844-351634 Fax: 01844-352554 Email: enquiries@mauritron.co.uk		
31-131				1.5 n	50 V	4822 122 31464
32-132	330 p	50 V	4822 122 10163	HEF4011BC	4822 209 10113	
33-133	470 p	50 V	4822 122 31355	HEF4016BP	5322 209 14119	
34-134	1.4 n	125 V	4822 121 50768	HEF4081BC	4822 209 10111	
35-40-45-135- 140-145	} 2.2 n	50 V	4822 122 10164	LM324N	5322 209 85899	
36-136				1 n	250 V	4822 121 50566
37-137	4.7 n	63 V	4822 121 50738	μ A7818UC	4822 209 80404	
38-138	6.8 n	50 V	4822 122 40206	-L-		
39-139	56 n	100 V	4822 121 41154	1-101	4822 157 50735	
43-143	47 μ	15 V	4822 124 40311	601-651	4822 157 51129	
44-144	100 n	50 V	4822 122 31433	901	4822 157 50975	
50	11 n	63 V	5322 121 54147	-R-		
51	8.2 n	63 V	5322 121 54151	2-47-102-147- 422	10 K	4822 116 51253
52	39 n	250 V	4822 121 40413	14-114	39K2	5322 116 54664
55-58-415-416- 443-605-655-902	} 100 n	100 V	4822 121 41161	15-115	1 K	5322 116 54549
68-168-426-427- 711-712-913-917				} 4.7 n	50 V	4822 122 10176
69-169	5.6 n	50 V	4822 122 40169			
70-170	10 n	25 V	4822 122 10177	34-134	8K25	5322 116 54558
71-171	10 p	63 V	4822 122 31526	36-136	12K7	5322 116 50443
72-172	27 p	50 V	4822 122 31472	37-137	1K33	5322 116 54561
411-412	1 n	50 V	4822 122 31356	38-138	3K01	5322 116 50524
413-414-422- 438-922	} 10 μ	16 V	4822 124 40309	41-90-141- 190-804	} 22 K	4822 100 10051
425				3.3 n		50 V
429	22 n	25 V	4822 122 10188	63-163-214- 471-473-475	} 47 K	4822 100 10079
432	6.8 n	63 V	4822 121 50538	73-173		2K74
448	4700 μ	16 V	4822 124 40317	75-175	475 K	4822 116 51275
601-651	47 μ	16 V	4822 124 40311	78-178-806	4K7	4822 100 10036
602-652	15 n	250 V	4822 121 40406	80	3K57	5322 116 54586
604-654	4.7 n	250 V	4822 121 40239	219-319	220 Ω	5322 116 55062
710	6800 μ		4822 124 40346	222-322	301 K	5322 116 54743
905-907-918	1 μ		4822 121 50718	419	9K09	5322 116 55277
906-908	1 n	100 V	4822 122 31175	420	3K92	5322 116 54591
910	100 μ	16 V	4822 124 40194	421	1K91	5322 116 54569
919-920	100 μ	6.3 V	4822 124 20462	423-424	6K04	5322 116 54601
921	0.47 μ	50 V	4822 124 20719	501	49K9	5322 116 50674

-R-			-Miscellaneous-	
502	16K5	5322 116 54634	BU1, BU2, BU3, BU4 }	4822 267 10061
503	8K25	5322 116 54558	BU101, BU103, BU104 }	
504	4K99	5322 116 50523	BU5, BU105	4822 267 30345
505	3K32	5322 116 54005	BU6	4822 267 30346
506	2K37	5322 116 54576	BU401	4822 267 40233
507	1K78	5322 116 50515	Conn. 1	4822 265 40147
508	1K40	5322 116 54562	Conn. 2	4822 266 30138
509	1K10	5322 116 54554	Conn. 3 + 4	4822 265 30149
701-751	20 K	4822 102 30327	Conn. 5 + 7	4822 267 40242
702-752	20 K	4822 102 30328	Conn. 6	4822 267 40381
703-753	100 K	4822 102 30329	Conn. 8	4822 266 40064
704	1 K	4822 102 30336	Conn. 9	4822 265 20178
801	124 K	5322 116 54705	Core for L1/L101	4822 526 10111
802	61K9	5322 116 50872	F1	115 °C-250 mA 4822 252 20007
803	30K9	5322 116 54656	F2	1AT 4822 253 30021
805	10 K	4822 100 10035	Fuseholder for F2	4822 256 30171
909	PTC 25-50 Ω	4822 116 40001	K1 Rec. head	4822 249 20045
926-937	4.7 Ω	4822 113 80224	K2 PB-head	4822 249 20046
-TS-			K3 Erase-head	4822 249 40064
BC327-25		4822 130 41246	LA1, LA101	4822 134 40408
BC337-25		4822 130 40981	M1, M101	4822 361 20186
BC547B		4822 130 40959	M2	4822 361 20177
BC548B		4822 130 40937	M3	4822 361 20185
BC548C		4822 130 44196	ME1, ME101	4822 347 20091
BC549B		4822 130 40936	NAB adapter	4822 528 20243
BC550C		4822 130 41096	Panel 2	4822 214 30474
BC556B		4822 130 41618	Panel 4	4822 218 10128
BC558B		4822 130 44197	Plug 1	4822 267 60078
BC637		4822 130 41041	Plug 3 + 4	4822 266 30079
BD677		4822 130 41484	Plug 5 + 7	4822 266 30081
BD678		4822 130 41451	RE401	4822 526 20091
BD681		5322 130 44786	SK0	4822 276 10777
2SK104H		4822 130 41552	SK1	4822 277 10518
			SK3	4822 277 10517
			SK4	4822 277 10516
			SK5 ÷ SK9	4822 276 60189
			SK701	4822 278 90388
			Socket for LED	4822 265 20177
			T1	4822 146 20591

For Service Manuals Contact
MAURITRON TECHNICAL SERVICES
 8 Cherry Tree Rd, Chinnor
 Oxon OX9 4QY
 Tel:- 01844-351694 Fax:- 01844-352554
 Email:- enquiries@mauritron.co.uk